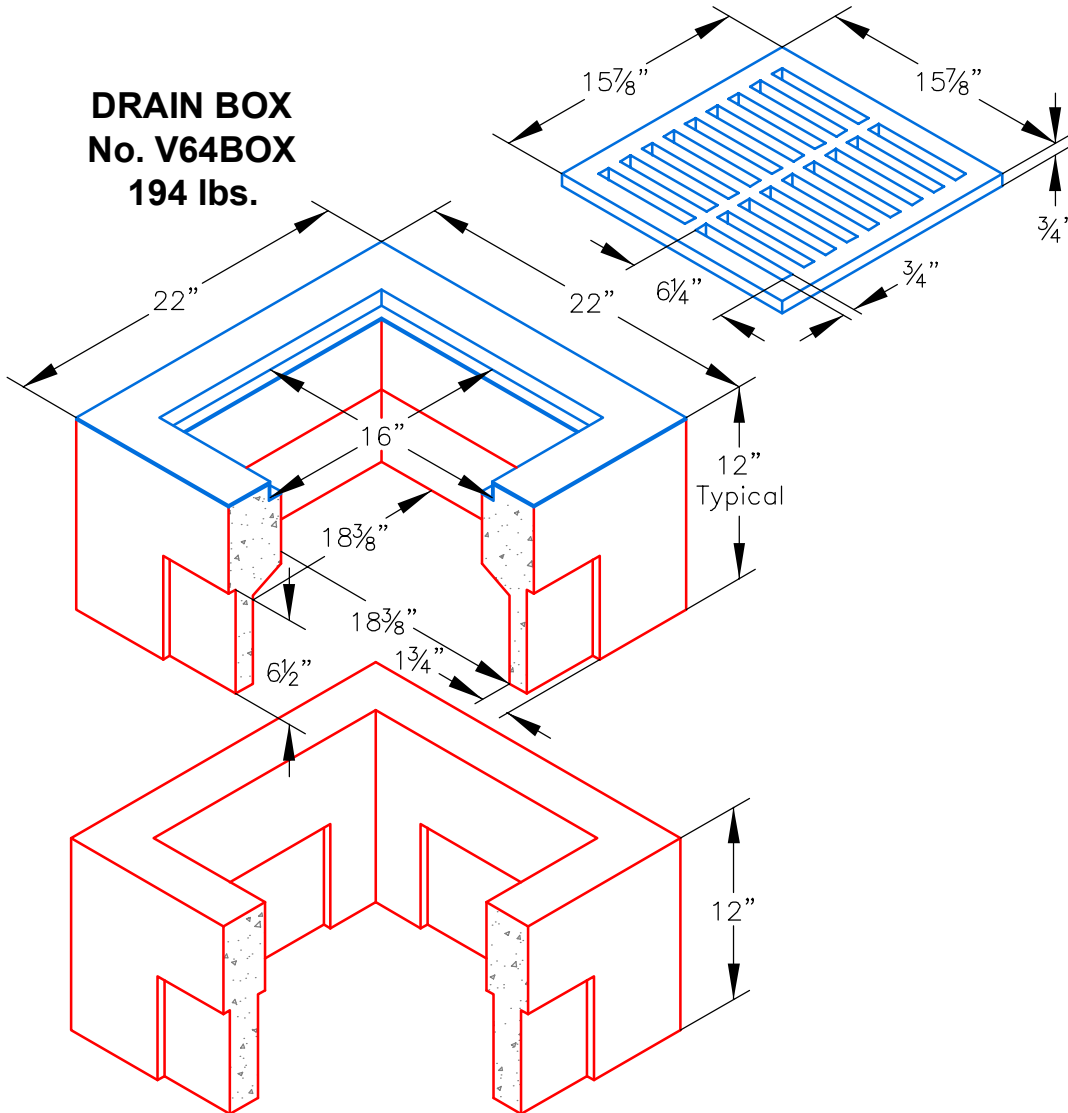


CAST IRON GRATE
No. V64-71C
32 lbs.

DRAIN BOX
No. V64BOX
194 lbs.



This concrete drain box has a cast in galvanized frame and is specifically engineered for drainage in medium areas such as parking lots, school grounds, walkways, ect. Its design permits final grading material to "lock in" and finish clean. Knock-outs accommodate up to 8" O.D. pipe. Approximate dimensions and weight shown. Also available in bolt down.

Ordering Code	Item	Approx. Shipping Weight	Description
V64BOX	DRAIN BOX	194	V64 Drain Box (18 ³ / ₈ " x 18 ³ / ₈ ")- 12 per pallet
V64-71C	GRATE	32	Cast iron
V64X12	EXTENSION	152	12" Reinforced concrete - 12 per pallet



Oldcastle Precast®
Enclosure Solutions

MADERA/TRACY/ROSEVILLE/PHOENIX
 Phone: (800) 486-7070 Fax: (800) 486-6804
 Copyright © 2009 Oldcastle Precast Inc.

V64 DRAIN BOX

FILE NAME: V64_ISO

ISSUE DATE: January, 2009

www.oldcastleprecast.com

V64 DRAIN BOX
18-3/8" x 18-3/8"

