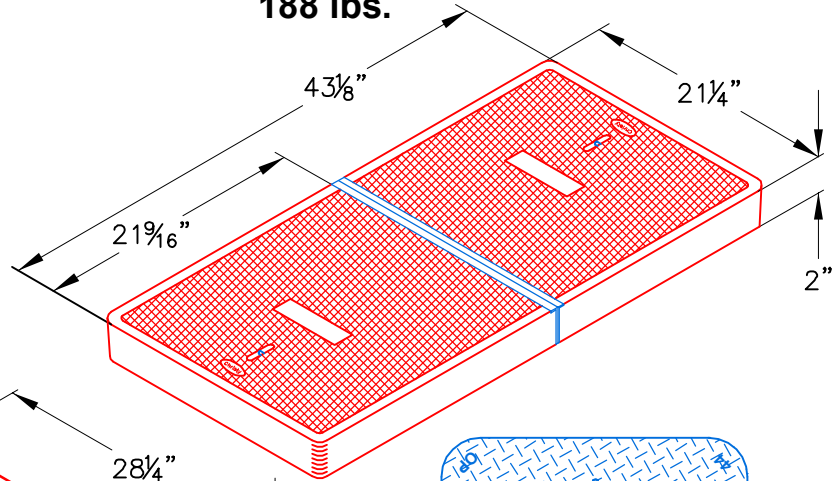


## REINFORCED CONCRETE LID

No. P44D2

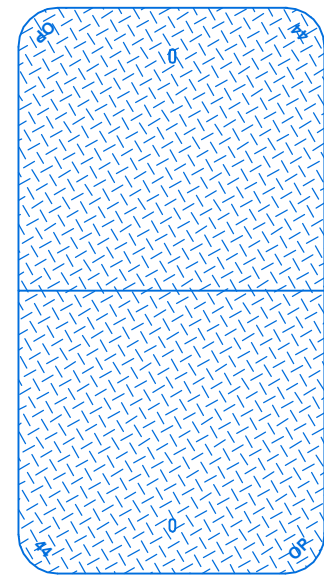
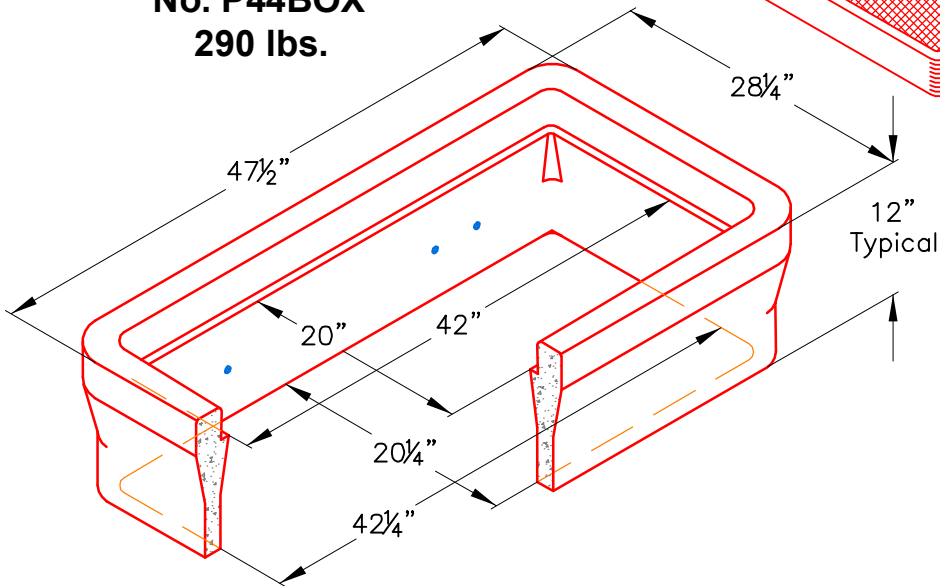
188 lbs.



## TELEPHONE BOX

No. P44BOX

290 lbs.



B44-62D

A high density reinforced concrete box with non-settling shoulders positioned to maintain grade and facilitate back filling. Supplied with inserts to support brackets. Approximate dimensions and weight shown.

Ordering Code	Item	Approx. Shipping Weight	Description
P44BOX	BOX	290	P44 Telephone Box (20 1/4" x 42 1/4")— 6 per pallet
B44D2	LID	188	2 pc. Reinforced concrete
B44-62D	COVER	96	2 pc. Steel checker plate
B44X8	EXTENSION	178	8" Reinforced concrete — 8 per pallet
B44SL	SLAB	150	Reinforced concrete (24 1/4" x 46")

Galvanizing available on all steel covers



**Oldcastle Precast®**

Enclosure Solutions

MADERA/TRACY/ROSEVILLE/PHOENIX

Phone: (800) 486-7070 Fax: (800) 486-6804

Copyright © 2009 Oldcastle Precast Inc.

### P44 BOX

FILE NAME: P44\_ISO

ISSUE DATE: January, 2009

[www.oldcastleprecast.com](http://www.oldcastleprecast.com)

### P44 TELEPHONE BOX

20-1/4" x 42-1/4"

