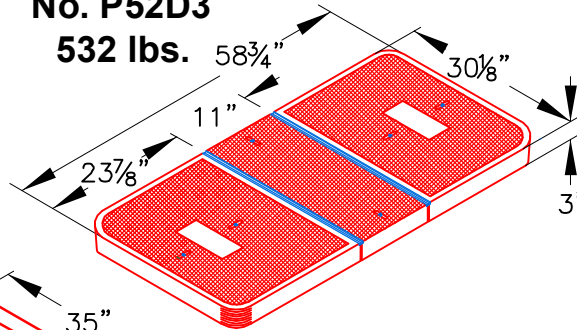


"T" BOX

REINFORCED CONCRETE LID

No. P52D3

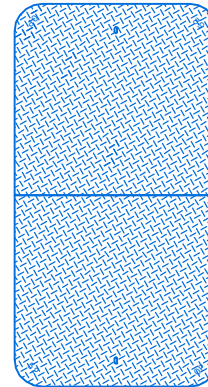
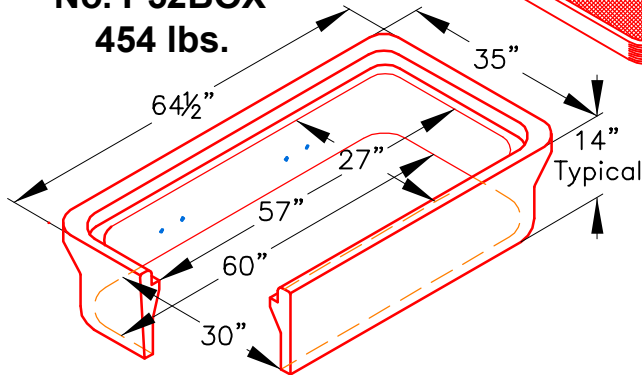
532 lbs.



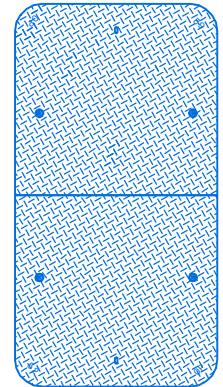
TELEPHONE BOX

No. P52BOX

454 lbs.



B52-62D



N52-62J

A high density reinforced concrete box with end knockouts and non-settling shoulders positioned to maintain grade and facilitate back filling. Supplied with inserts to support brackets. Approximate dimensions and weight shown.

Ordering Code	Item	Approx. Shipping Weight	Description
P52BOX	BOX	454	P52 Telephone Box (30" x 60")– 3 per pallet
P52TBOX*	BOX	454	P52T Telephone Box (30" x 60")– 3 per pallet with bolt down provisions
P52D3	LID	532	3 pc. Reinforced concrete
B52-62D	COVER	178	2 pc. Steel checker plate
N52-62J	COVER	178	2 pc. Steel checker plate with hold down bolts
B52X10	EXTENSION	309	10" Reinforced concrete – 3 per pallet
B52SL	SLAB	550	Reinforced concrete (36" x 66")

* Boxes provided with bolt down provisions for use with bolt down lids.

Galvanizing available on all steel covers



Oldcastle Precast®
Enclosure Solutions

MADERA/TRACY/ROSEVILLE/PHOENIX
Phone: (800) 486-7070 Fax: (800) 486-6804
Copyright © 2009 Oldcastle Precast Inc.

P52 BOX

FILE NAME: P52_ISO

ISSUE DATE: January, 2009

www.oldcastleprecast.com

P52 TELEPHONE BOX

30" x 60"

