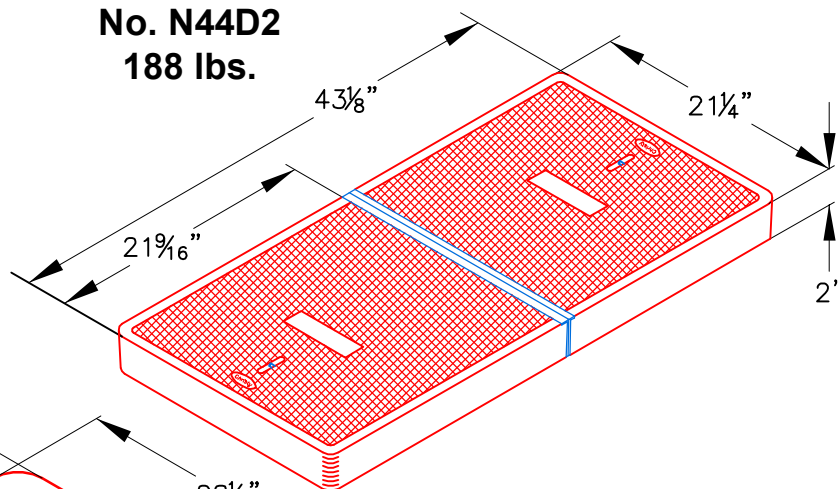


REINFORCED CONCRETE LID

No. N44D2

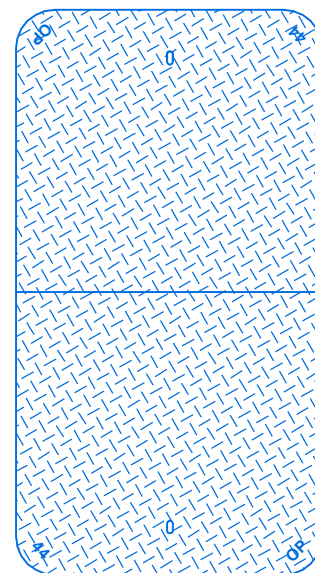
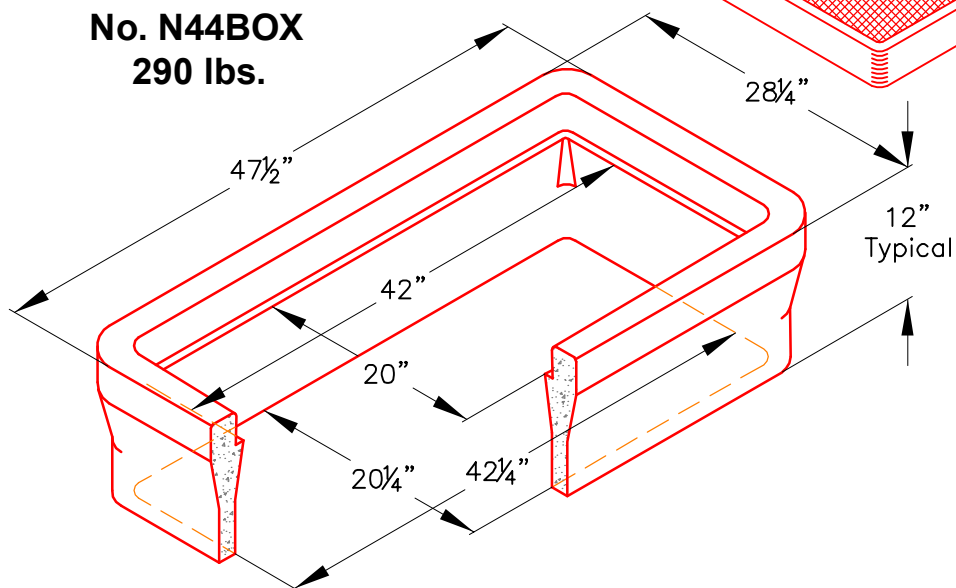
188 lbs.



ELECTRICAL BOX

No. N44BOX

290 lbs.



B44-62D

A high density reinforced concrete box with non-settling shoulders positioned to maintain grade and facilitate back filling. Approximate dimensions and weight shown.

Ordering Code	Item	Approx. Shipping Weight	Description
B44BOX	BOX	290	N44 Electrical Box (20½" x 42")– 6 per pallet
N44D2	LID	188	2 pc. Reinforced concrete
B44-62D	COVER	96	2 pc. Steel checker plate
B44X8	EXTENSION	178	8" reinforced concrete– 8 per pallet
B44SL	SLAB	150	Reinforced concrete (24¼" x 46")
Galvanizing available on all steel covers.			



Oldcastle Precast®
Enclosure Solutions

MADERA/TRACY/ROSEVILLE/PHOENIX

Phone: (800) 486-7070 Fax: (800) 486-6804

Copyright © 2009 Oldcastle Precast Inc.

N44 BOX

FILE NAME: N44_ISO

ISSUE DATE: January, 2009

www.oldcastleprecast.com

N44 ELECTRICAL BOX

20-1/4" x 42-1/4"

