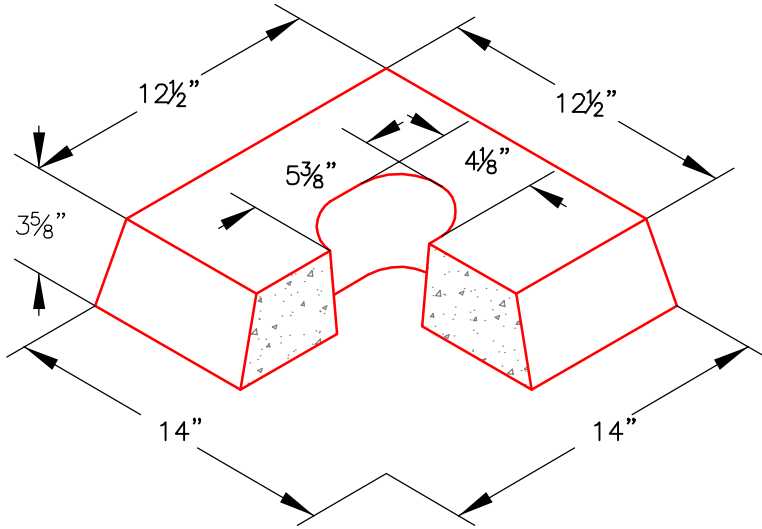
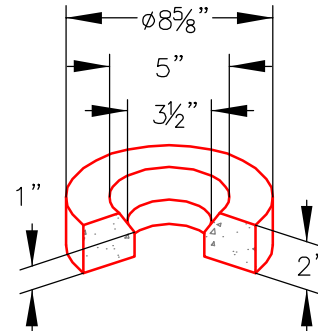


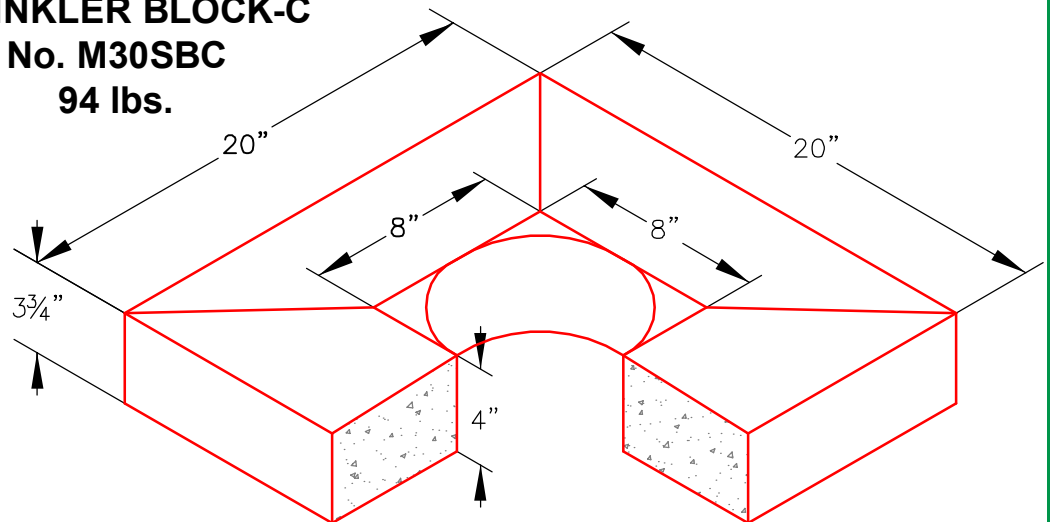
SPRINKLER BLOCK-A
No. M30SBA
48 lbs.



SPRINKLER BLOCK-B
No. M30SBB
6 lbs.



SPRINKLER BLOCK-C
No. M30SBC
94 lbs.



A precast concrete protector for a variety of sprinkler heads. For extra heavy duty applications where maximum protection is required. Can be set above ground or at ground level. Approximate dimensions and weight shown.

Ordering Code	Item	Approx. Shipping Weight	Description
M30SBA	SPRINKLER	48	Type A, sprinkler block (14" x 14" x 4")— 45 per pallet
M30SBB	SPRINKLER	6	Type B, sprinkler block (ø8 5/8" x 2")— 100 per pallet
M30SBC	SPRINKLER	94	Type C, sprinkler block (20" x 20" x 3 3/4") with 8" dia. hole.— 20 per pallet



Oldcastle Precast®
Enclosure Solutions
 MADERA/TRACY/ROSEVILLE/PHOENIX
 Phone: (800) 486-7070 Fax: (800) 486-6804
 Copyright © 2009 Oldcastle Precast Inc.

SPRINKLER BLOCKS

FILE NAME: 30SPRBLOCK_ISO
 ISSUE DATE: January, 2009
www.oldcastleprecast.com

SPRINKLER BLOCKS

