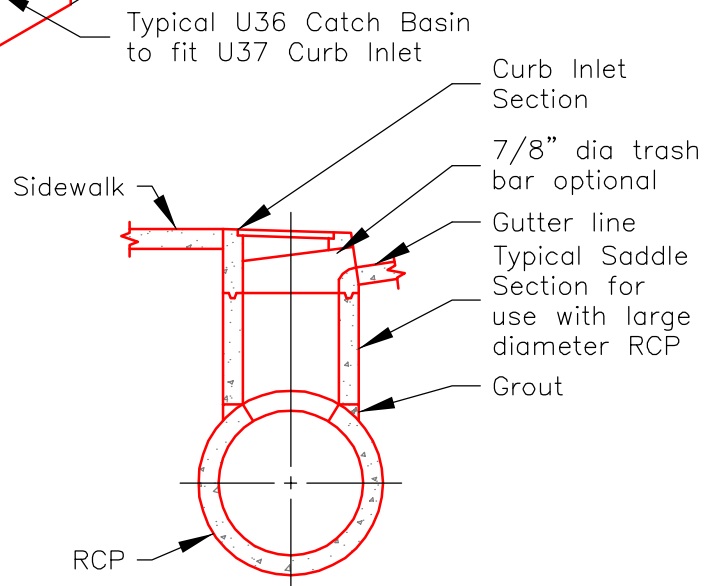
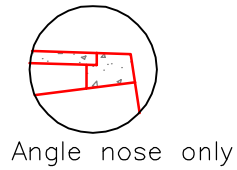
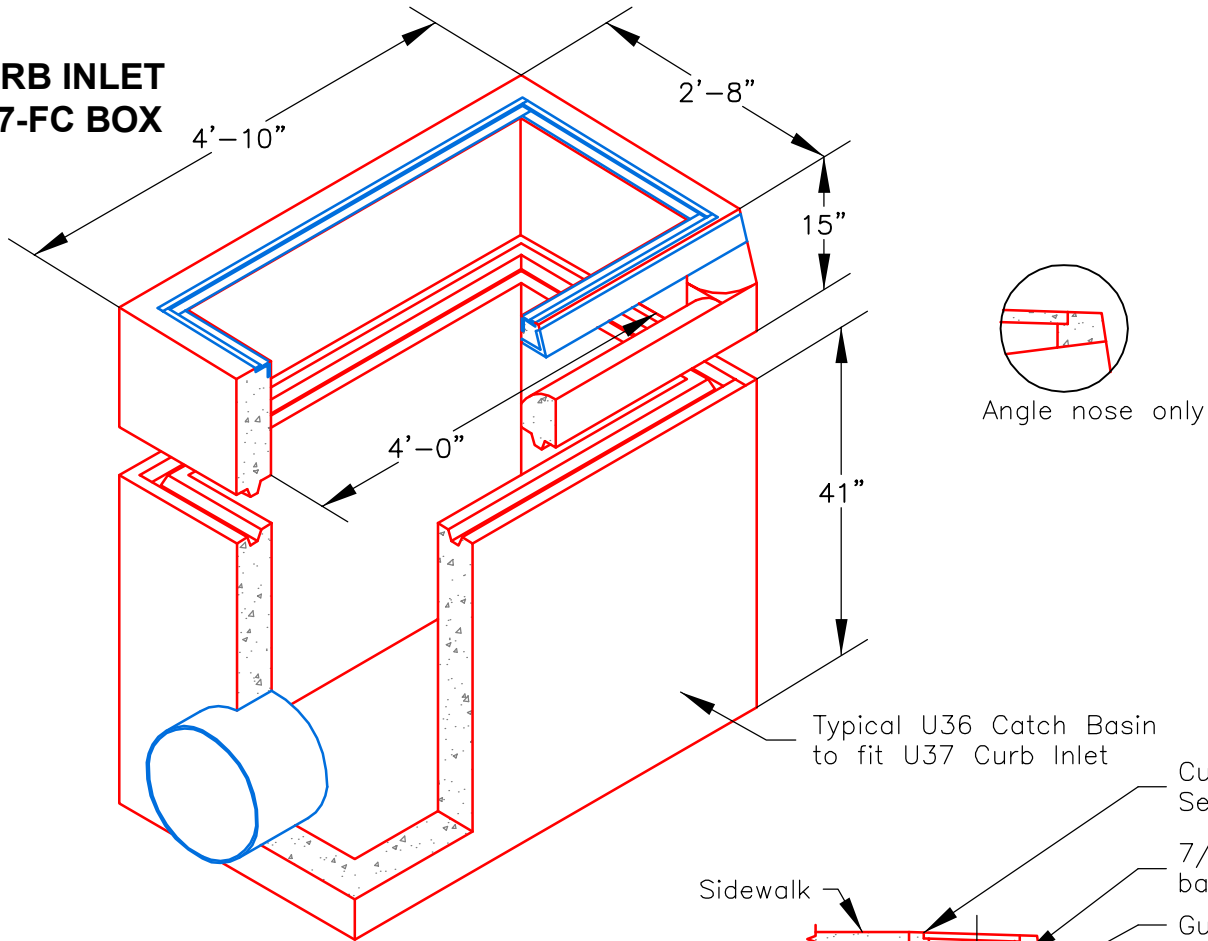


U37-FC CURB INLET w/ 5" WALLS

CURB INLET U37-FC BOX



Designed to fit U36 catch basins. Also, when used with a 4' x 5' x 6" adapter slab, will fit U52 catch basins.

The U37-1 Curb Inlet is a precast concrete box reinforced 4" x 4"/#6 x #6 welded wire fabric and 3/2" x 3/2" x 1/2" galvanized angle iron. The 1/4" galvanized checker plate, 2 piece cover is bolted down to the metal frame.

Ordering Code	Item	Approx. Shipping Weight	Description
U37CI-FC	CURB INLET	1530	U37 Curb Inlet (2' x 4' x 15" deep- 5" walls) Fits U36 Catch Basin
U37ASL	ADAPTER	1380	U37-A adapter slab (5' x 5' x 6") reinforced concrete- fits U52 catch basin
U37-62D	COVER	113	Steel checker plate, galvanized, 2 pcs.



Oldcastle Precast®
Enclosure Solutions
MADERA/TRACY/ROSEVILLE/PHOENIX
Phone: (800) 486-7070 Fax: (800) 486-6804
Copyright © 2009 Oldcastle Precast Inc.

U37-FC CURB INLET

FILE NAME: U37FC_ISO

ISSUE DATE: January, 2009

www.oldcastleprecast.com

U37-FC CURB INLET 2' x 4' x 15" DEEP

