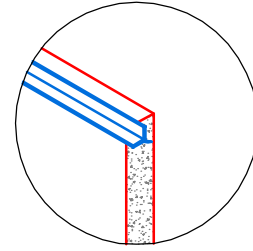
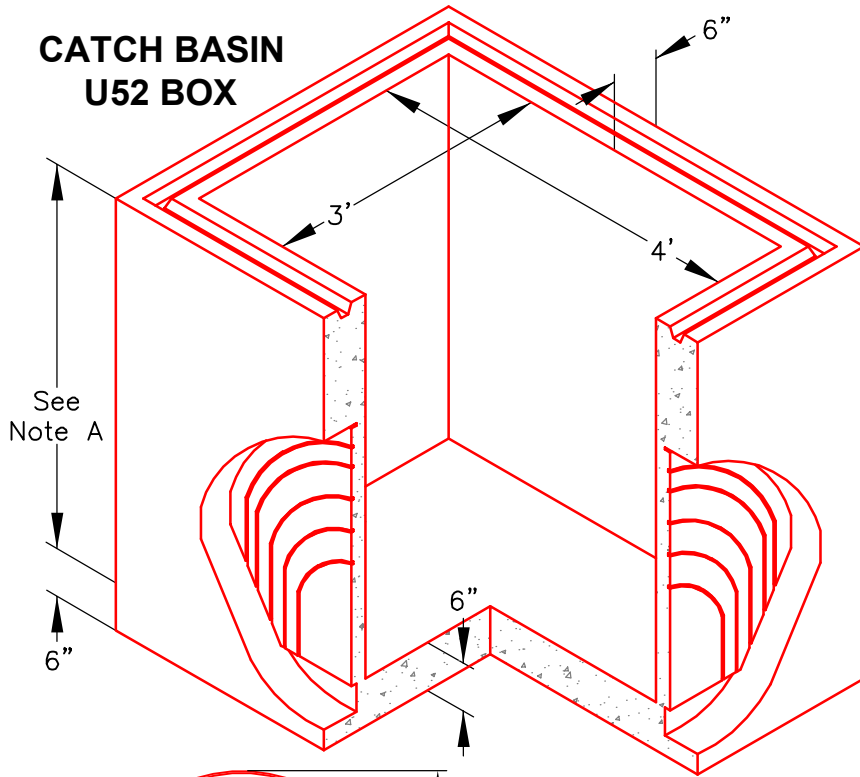
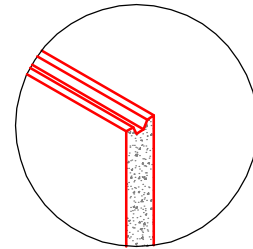


U52 CATCH BASIN

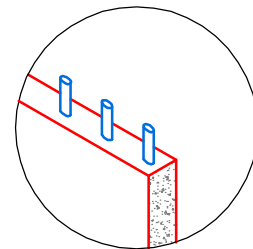
CATCH BASIN U52 BOX



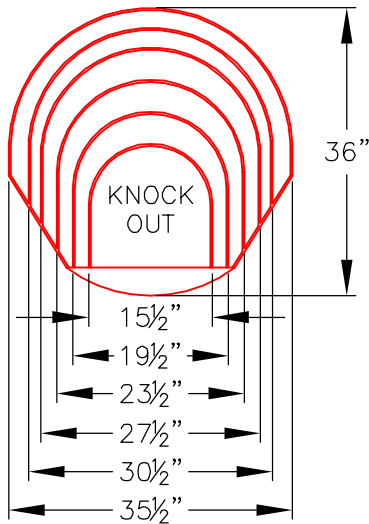
Cast-in galvanized frame for grates 1½" x 1½" angle iron with anchor bolts



Grooved to receive tongue of grade rings, curb inlets, etc.



6" exposed rebar to allow job site pouring of special curb shapes at grade level, etc.



Note A: height is per job specification.

- Knock-Outs available in grade rings and catch basins.
- Opening, locations, and sizes to job specifications.
- With or without bottom.
- Progressive webbed knock-outs provide maximum flexibility, permitting pipe of any size to be neatly and quickly grouted in at jobsite.
- Standard grade rings available in 6" increments up to 4' high.
- All reinforcing steel meets ASTM specifications as required



Oldcastle Precast[®]
Enclosure Solutions

MADERA/TRACY/ROSEVILLE/PHOENIX

Phone: (800) 486-7070 Fax: (800) 486-6804

Copyright © 2009 Oldcastle Precast Inc.

U52 CATCH BASIN

FILE NAME: U52_ISO

ISSUE DATE: January, 2009

www.oldcastleprecast.com

U52 CATCH BASIN 3' x 4' W/ 6" WALLS

