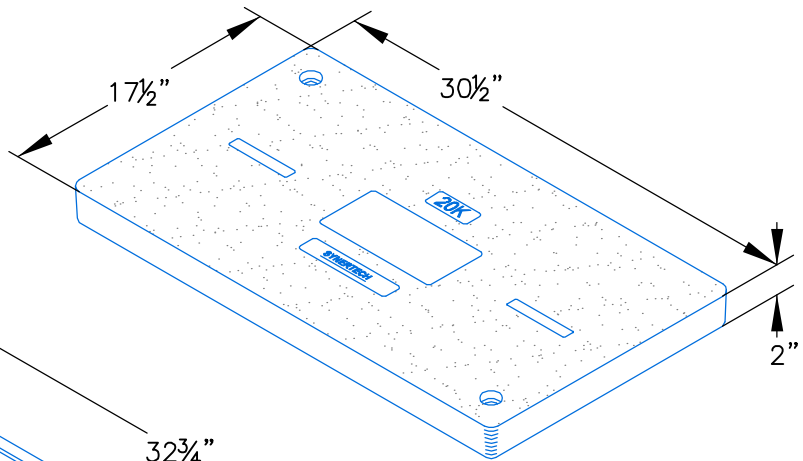
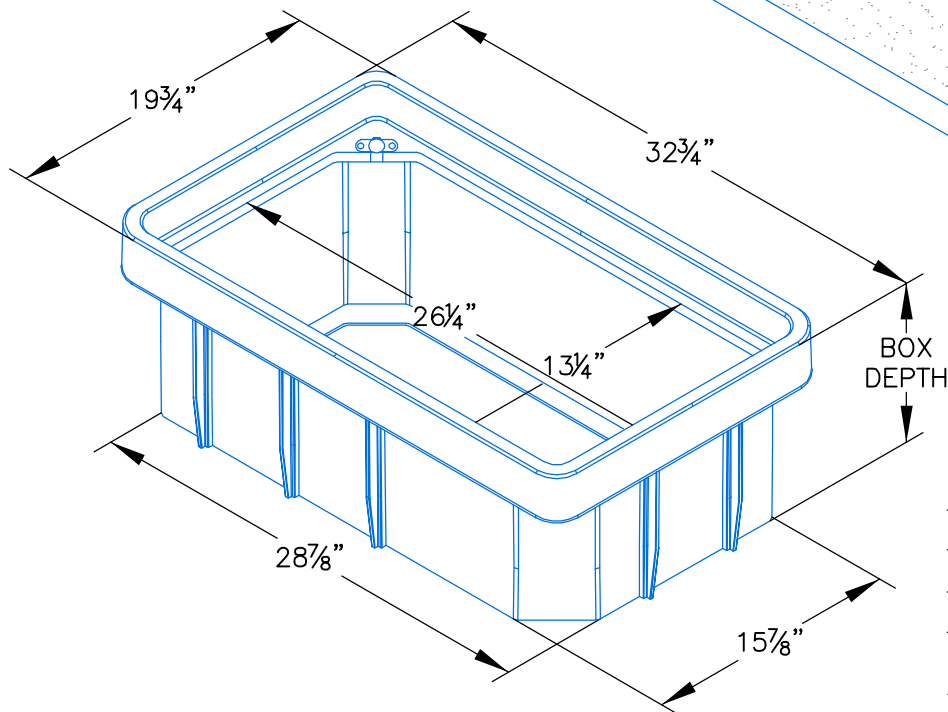


SYNERTECH LID
No. SYN1730T
55 lbs.



SYNERTECH BOX
No. SYN1730T-12
(STRAIGHT WALL)
42 lbs.



JUNCTION BOX FEATURES

- SHEET MOULDING COMPOUND (SMC) BODY.
- DUOMOLDING CONSTRUCTION.
- HIGH DENSITY POLYMER CONCRETE (HDPC) RING.
- 20K LOAD RATING

COVER FEATURES

- SHEET MOULDING COMPOUND (SMC) LINING.
- DUOMOLDING CONSTRUCTION.
- HIGH DENSITY POLYMER CONCRETE (HDPC).
- 20K LOAD RATING

Ordering Code	Item	Approx. Shipping Weight	Description
SYN1730T	LID	55	SynerTech Lid, bolt down (order bolts separately)
SYN1730TBOX12DUO	BOX	42	Box - Open Bottom/12" Straight Wall (Shown Above)
SYN1730TBOX18DUO	BOX	48	Box - Open Bottom/18" Straight Wall
SYN1730TBOX24DUO	BOX	54	Box - Open Bottom/24" Straight Wall



Oldcastle Precast®
Enclosure Solutions

MADERA/TRACY/ROSEVILLE/PHOENIX
 Phone: (800) 486-7070 Fax: (800) 486-6804
 Copyright © 2008 Oldcastle Precast Inc.

SYN 1730T BOX-DUO

FILE NAME: SYN1730DUO_ISO

ISSUE DATE: January, 2008

www.oldcastleprecast.com

1730 JUNCTION BOX
(STRAIGHT WALL)

SYNERTECH