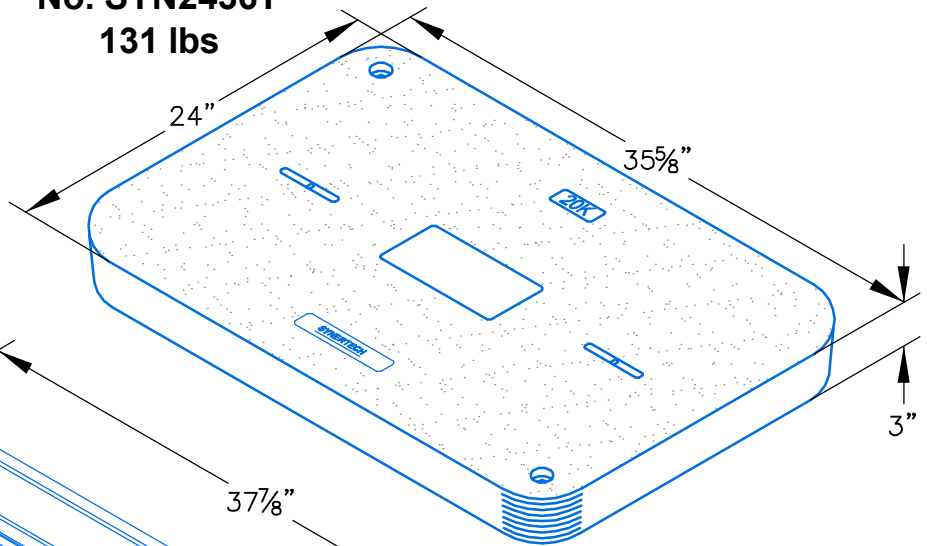
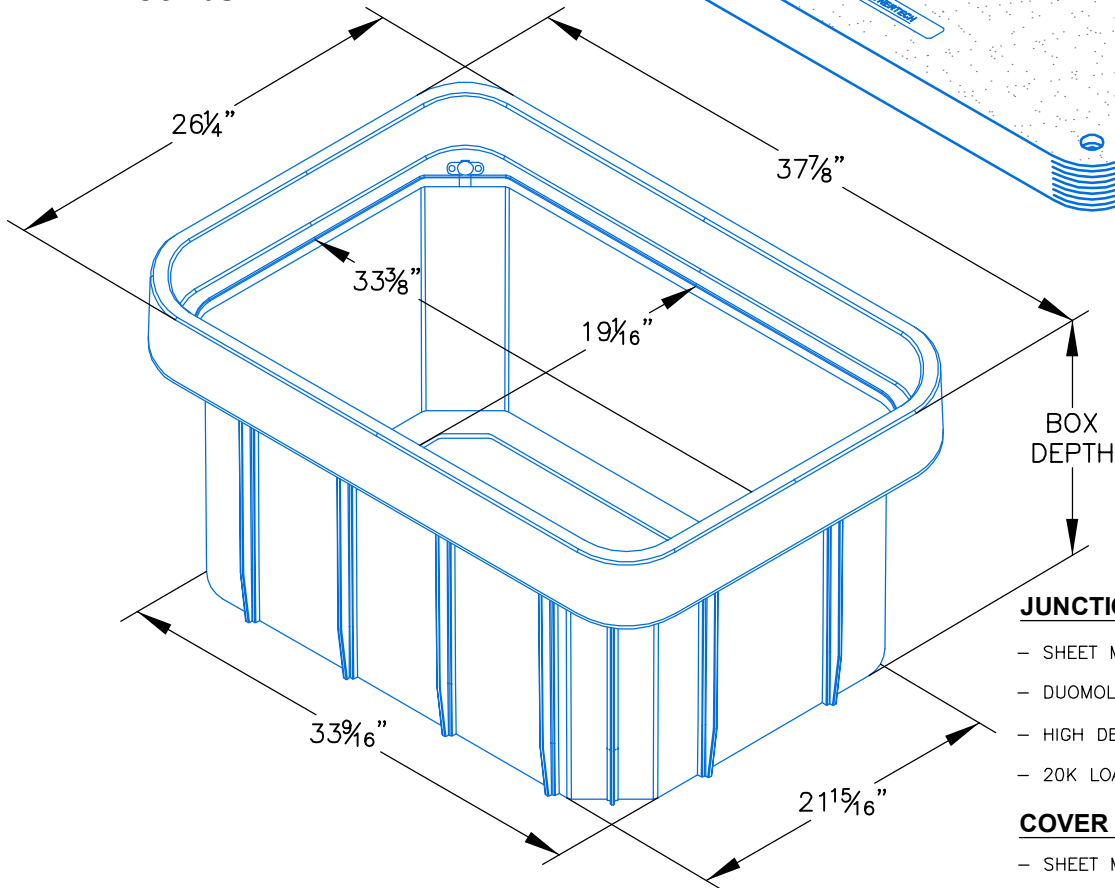


SYNERTECH LID
No. SYN2436T
131 lbs



SYNERTECH BOX
No. SYN2436T-18
(STRAIGHT WALL)
80 lbs.



JUNCTION BOX FEATURES

- SHEET MOULDING COMPOUND (SMC) BODY.
- DUOMOLDING CONSTRUCTION.
- HIGH DENSITY POLYMER CONCRETE (HDPC) RING.
- 20K LOAD RATING

COVER FEATURES

- SHEET MOULDING COMPOUND (SMC) LINING.
- DUOMOLDING CONSTRUCTION.
- HIGH DENSITY POLYMER CONCRETE (HDPC).
- 20K LOAD RATING

Ordering Code	Item	Approx. Shipping Weight	Description
SYN2436T	LID	131	SynerTech Lid, bolt down (order bolts separately)
SYN2436TBOX18DUO	BOX	80	Box - Open Bottom/18" Straight Wall (Shown Above)
SYN2436TBOX24DUO	BOX	90	Box - Open Bottom/24" Straight Wall
SYN2436TBOX36DUO	BOX	112	Box - Open Bottom/36" Straight Wall



Oldcastle Precast®
Enclosure Solutions

MADERA/TRACY/ROSEVILLE/PHOENIX
 Phone: (800) 486-7070 Fax: (800) 486-6804
 Copyright © 2008 Oldcastle Precast Inc.

SYN 2436T BOX-DUO

FILE NAME: 036SYN2436JB_ISO

ISSUE DATE: January, 2008

www.oldcastleprecast.com

2436 JUNCTION BOX
(STRAIGHT WALL)

SYNERTECH