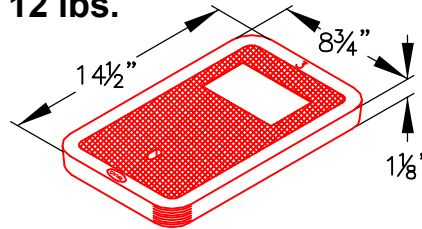


- Etched polypropylene face
- Face anchored in concrete
- Ultra-violet inhibitor
- Exceeds ASTM-D1693 Standards for Environmental Stress Cracking Resistance

REINFORCED CONCRETE LID

No. B03D

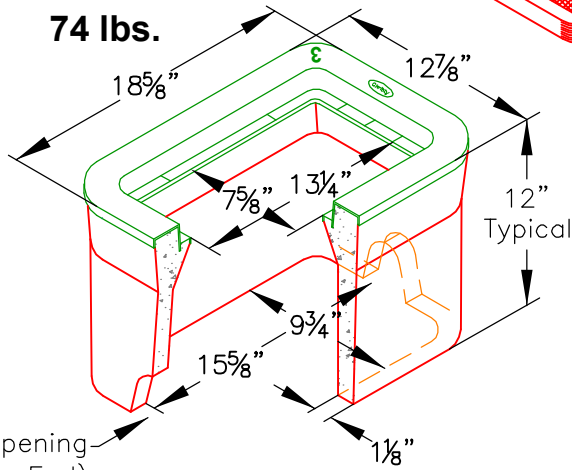
12 lbs.



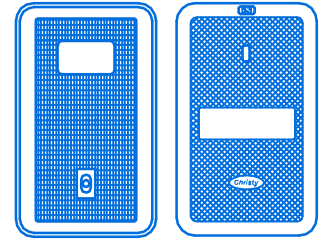
UTILITY BOX

No. B03BOX

74 lbs.

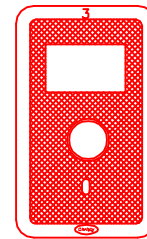


Mouse hole opening
(1 Each End)
Typical

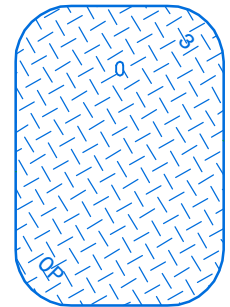


B03Z

B03C



B03P



B03-61D

A high density reinforced concrete box with non-settling shoulders positioned to maintain grade and facilitate back filling. Approximate dimensions and weight shown.

Ordering Code	Item	Approx. Shipping Weight	Description
B03BOX	BOX	74	B03 Utility Box (9 ³ / ₄ " x 15 ⁵ / ₈ ")- 28 per pallet
B03C	LID	13	Cast iron
B03D	LID	12	Reinforced concrete
B03Z	LID	12	Reinforced concrete w/ galvanized frame
B03TL	LID	15	Cast iron lid with lock
BUTLK	KEY	1	Universal TL key for cast iron lid with lock
B03-61D	COVER	14	Steel checker plate
B03SL	SLAB	22	Reinforced concrete (12 ⁷ / ₈ " x 18 ⁵ / ₈ ")

Galvanizing available on all steel covers.



Oldcastle Precast[®]
Enclosure Solutions

MADERA/TRACY/ROSEVILLE/PHOENIX
Phone: (800) 486-7070 Fax: (800) 486-6804
Copyright © 2009 Oldcastle Precast Inc.

B03 BOX

FILE NAME: B03_ISO

ISSUE DATE: January, 2009

www.oldcastleprecast.com

B03 UTILITY BOX 9-3/4" x 15-5/8"

