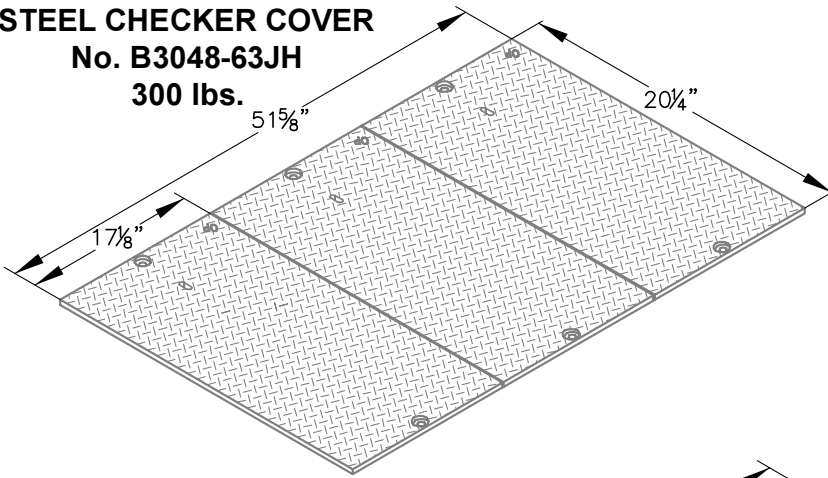
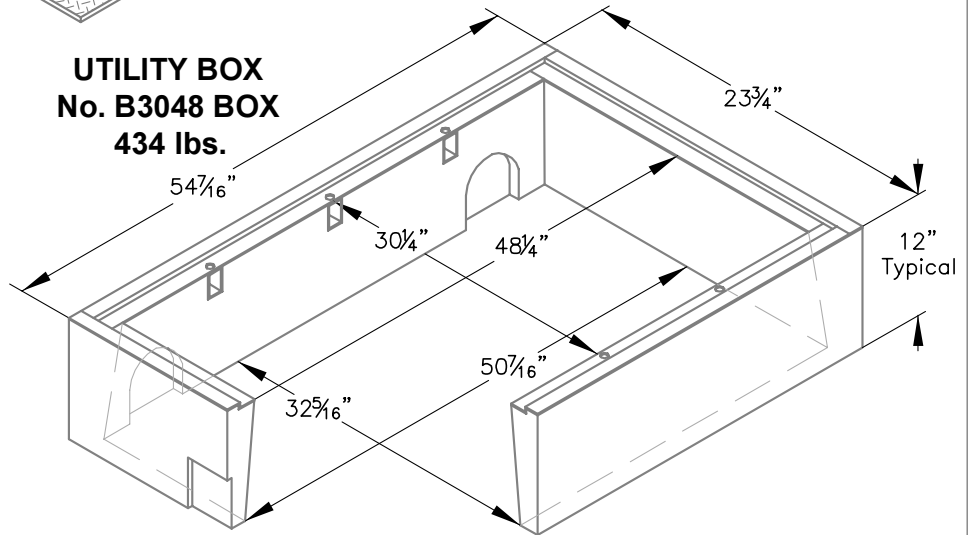


**STEEL CHECKER COVER**  
No. B3048-63JH  
300 lbs.



**UTILITY BOX**  
No. B3048 BOX  
434 lbs.



A high density reinforced concrete box with non-settling shoulders positioned to maintain grade and facilitate back filling. Approximate dimensions and weight shown.

Ordering Code	Item	Approx. Shipping Weight	Description
B3048BOX	BOX	434	B3048 Utility Box (30 1/4" x 48 1/4") H/20 loading- 3 per pallet
B3048-63JH	COVER	300	3 pc. Steel checker plate, H/20, bolt down
B3048X12	EXTENSION	474	12" Reinforced concrete H/20 loading- 3 per pallet
B48SL	SLAB	406	Reinforced concrete (36" x 53")

Galvanizing available on all steel covers.



**Oldcastle Precast®**  
Enclosure Solutions  
MADERA/TRACY/ROSEVILLE/PHOENIX  
Phone: (800) 486-7070 Fax: (800) 486-6804  
Copyright © 2008 Oldcastle Precast Inc.

**B3048 BOX**

FILE NAME: 036UWMB3048\_ISO

ISSUE DATE: January, 2008

[www.oldcastleprecast.com](http://www.oldcastleprecast.com)

**B3048 BOX H/20 LOADING**

**30-1/4" x 48-1/4"**

