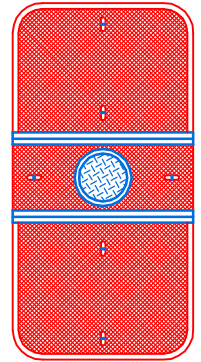
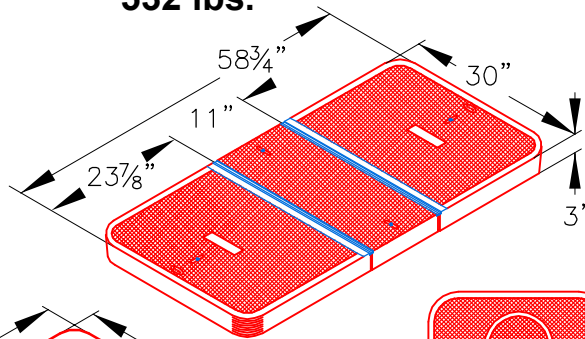


REINFORCED CONCRETE LID

No. B52D3

532 lbs.

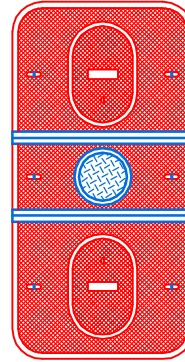
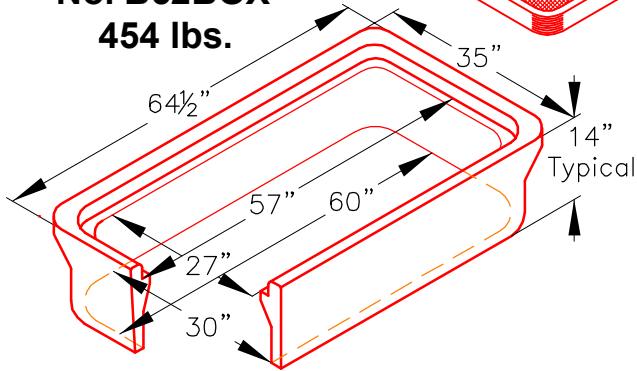


B52F3

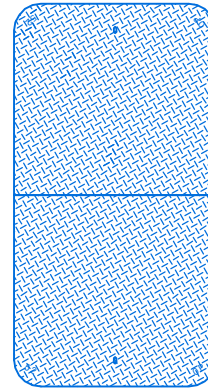
UTILITY BOX

No. B52BOX

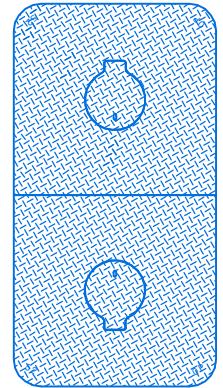
454 lbs.



B52M3



B52-62D



B52-62G

A high density reinforced concrete box with non-settling shoulders positioned to maintain grade and facilitate back filling. Approximate dimensions and weight shown.

Ordering Code	Item	Approx. Shipping Weight	Description
B52BOX*	BOX	454	B52 Utility Box (30" x 60")- 3 per pallet
B52D3	LID	532	3 pc. Reinforced concrete
B52F3	LID	476	3 pc. Reinforced concrete with one 8" round checker plate, reading lid
B52M3	LID	384	3 pc. Reinforced concrete with one 8" round checker plate, reading lid & two 10" x 16" oval, concrete reading lid
B52-62D	COVER	178	2 pc. Steel checker plate
B52-62G	COVER	182	2 pc. Steel checker plate with two 10" round, self-closing, reading lid
B52X10	EXTENSION	309	10" Reinforced concrete- 3 per pallet
B52SL	SLAB	550	Reinforced concrete (36" x 66")
B52DCS	SECTION	84	Center section, reinforced concrete, for 3pc. lids
B52FCS	SECTION	80	Center section, reinforced concrete with 8" round checker plate, reading lid for 3pc. lids

* Will not accept bolt down lids (see Electrical N52T Box)

Galvanizing available on all steel covers.



Oldcastle Precast[®]
Enclosure Solutions

MADERA/TRACY/ROSEVILLE/PHOENIX

Phone: (800) 486-7070 Fax: (800) 486-6804

Copyright © 2009 Oldcastle Precast Inc.

B52 BOX

FILE NAME: B52_ISO

ISSUE DATE: January, 2009

www.oldcastleprecast.com

B52 UTILITY BOX

30" x 60"

