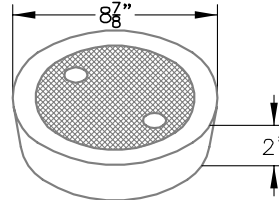


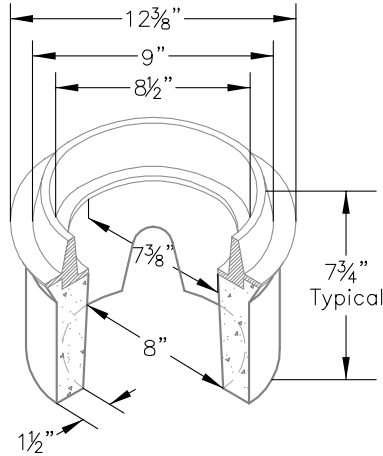
- Etched polypropylene face
- Face anchored in concrete
- Ultra-violet inhibitor
- Exceeds ASTM-D1693 Standards for Environmental Stress Cracking Resistance

REINFORCED CONCRETE LID

No. F08D
8 lbs.

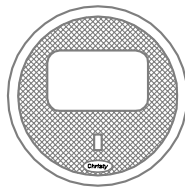
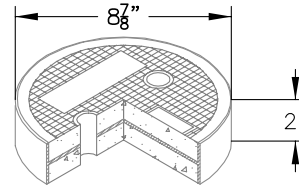


CURB VALVE BOX
No. F01NBOX
22 lbs.

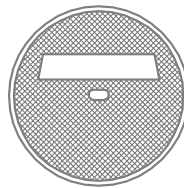


REINFORCED CONCRETE LID

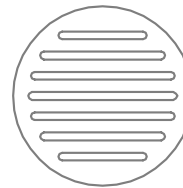
No. F08R
8 lbs.



FL08D



F08C



V01-71C

A high density reinforced concrete box with non-settling shoulders positioned to maintain grade and facilitate back filling. Approximate dimensions and weight shown.

Ordering Code	Item	Approx. Shipping Weight	Description
F01NBOX	BOX	22	F01 Curb Valve Box (8" I.D. x 7 3/4" high)- 48 per pallet
F08D	LID	8	Reinforced concrete
F08R	LID	8	Reinforced concrete lid with plastic ring
F08C	LID	8	Cast iron
FL08D	LID	3	Fibrelyte lid, non-concrete
V01-71C	GRATE	12	Cast iron



Oldcastle Precast®
Enclosure Solutions
MADERA/TRACY/ROSEVILLE/PHOENIX
Phone: (800) 486-7070 Fax: (800) 486-6804
Copyright © 2008 Oldcastle Precast Inc.

F01 BOX (SLIM LINE)

FILE NAME: 036UWMF1BOX_ISO

ISSUE DATE: January, 2008

www.oldcastleprecast.com

F01 CURB VALVE BOX
8" I.D. x 7-3/4"

