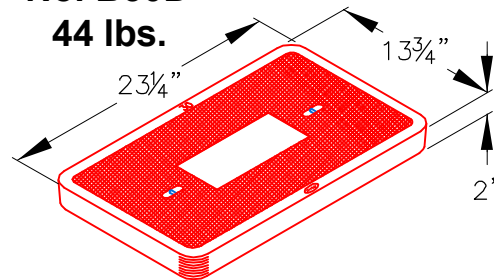


- Etched polypropylene face
- Face anchored in concrete
- Ultra-violet inhibitor
- Exceeds ASTM-D1693 Standards for Environmental Stress Cracking Resistance

REINFORCED CONCRETE LID

No. B30D

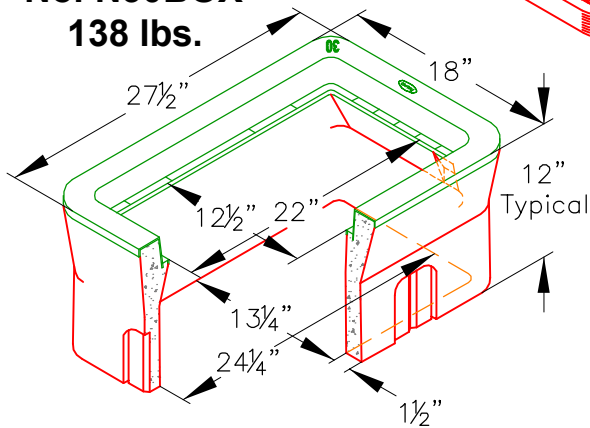
44 lbs.



UTILITY BOX

No. N30BOX

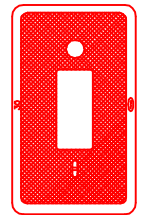
138 lbs.



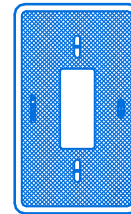
B30E



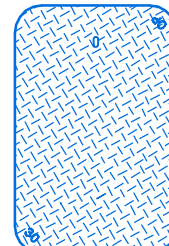
B30G



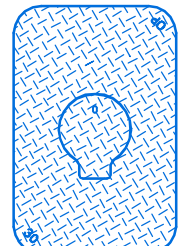
B30P



FL30D



B30-61D



B30-61G

A high density reinforced concrete box with non-settling shoulders positioned to maintain grade and facilitate back filling. Approximate dimensions and weight shown.

Ordering Code	Item	Approx. Shipping Weight	Description
N30BOX	BOX	138	N30 Utility Box (13 1/4" x 24 1/4") - 16 per pallet
B30D	LID	44	Reinforced concrete
FL30D	LID	20	Fibrelyte lid, non-concrete
B30E	LID	56	Reinforced concrete with 7" x 13 1/2" concrete reading lid
B30G	LID	44	Reinforced concrete with 5" x 8" cast iron, self-closing, reading lid with frame
B30P	LID	45	Reinforced concrete with 1 3/4" hole for reading probe
B30-61D	COVER	38	Steel checker plate
B30-61G	COVER	38	Steel checker plate with 8" round, self-closing reading lid
B30X12	EXTENSION	116	12" Reinforced concrete - 16 per pallet
B30SL	SLAB	52	Reinforced concrete (16" x 28")

Galvanizing available on all steel covers



Oldcastle Precast[®]
Enclosure Solutions

MADERA/TRACY/ROSEVILLE/PHOENIX
Phone: (800) 486-7070 Fax: (800) 486-6804
Copyright © 2009 Oldcastle Precast Inc.

B30 BOX

FILE NAME: B30_ISO

ISSUE DATE: January, 2009

www.oldcastleprecast.com

B30 UTILITY BOX 13-1/4" x 24-1/4"

