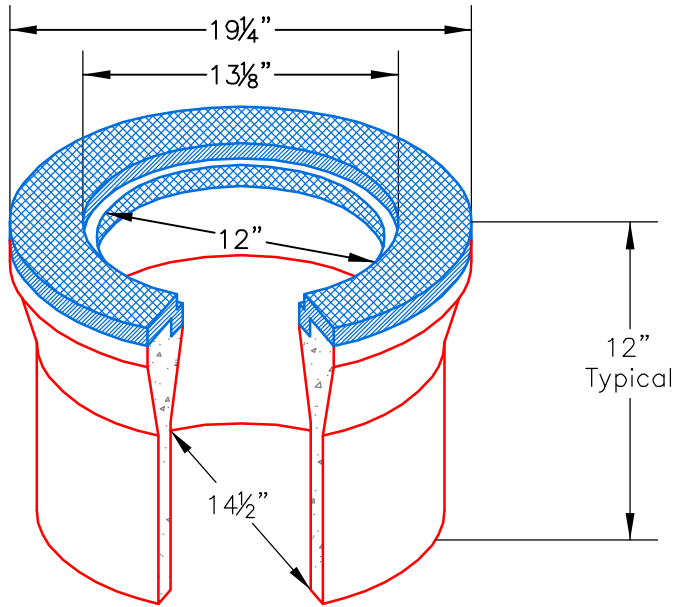
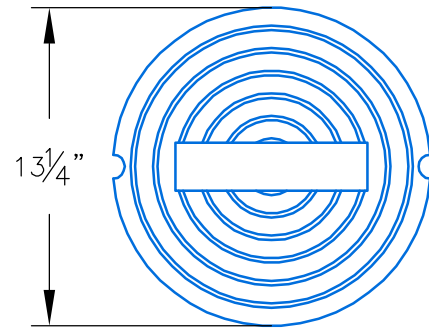


- Traffic Box is H/20 rated

**TRAFFIC VALVE BOX**  
**No. G12BOX**  
**106 lbs.**



**CAST IRON LID**  
**No. G12C**  
**24 lbs.**



A high density reinforced concrete box used for access to underground valves. Cast iron tapered lid and seat with debris proof design, permits snug fit and easy removal. The special concrete design of the box assists to maintain the grade under heavy traffic and isolate the pipeline from road shock.

Designed to enclose large shut off valves in heavy auto and truck traffic areas. Telescoping extensions facilitate installation at jobsite and act to isolate pipeline from road shock. Approximate dimensions and weight shown.

Ordering Code	Item	Approx. Shipping Weight	Description
G12BOX	BOX	106	G12 Traffic Valve Box (14 1/2" I.D. x 12" high)– 10 per pallet
G12C	LID	24	Cast iron
G12X12	EXTENSION	47	12" Reinforced concrete– 18 per pallet



**Oldcastle Precast®**  
**Enclosure Solutions**  
 MADERA/TRACY/ROSEVILLE/PHOENIX  
 Phone: (800) 486-7070 Fax: (800) 486-6804  
 Copyright © 2009 Oldcastle Precast Inc.

**G12 BOX**

FILE NAME: G12\_ISO

ISSUE DATE: January, 2009

[www.oldcastleprecast.com](http://www.oldcastleprecast.com)

**G12 TRAFFIC VALVE BOX**  
**14-1/2" I.D. x 12"**

