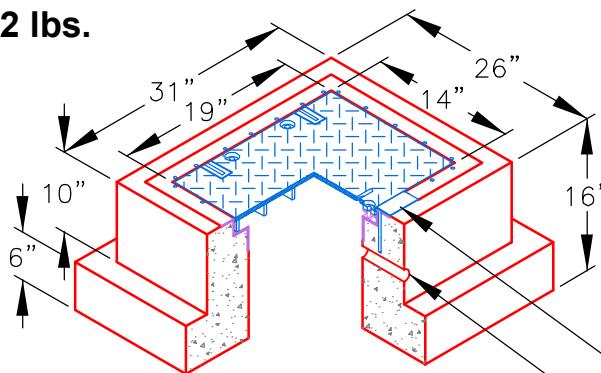


WDOT J-BOXES - HEAVY DUTY

Type 4

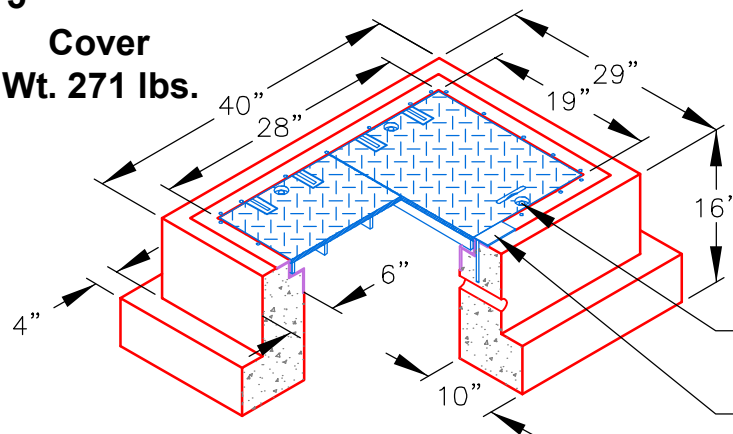
Box **Cover**
Wt. 956 lbs. **Wt. 162 lbs.**



Face Plate
 1½" Dia. Lift Hole
 (1 Each Side Typ.)

Type 5

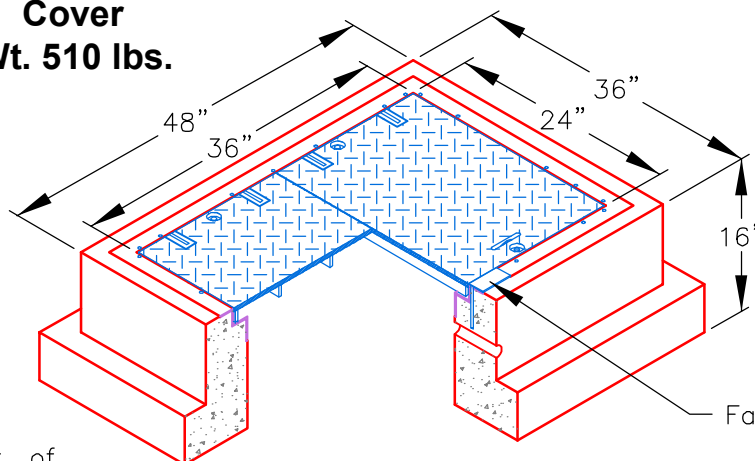
Box **Cover**
Wt. 1270 lbs. **Wt. 271 lbs.**



Bolt-Down (Typ.)
 Face Plate

Type 6

Box **Cover**
Wt. 1585 lbs. **Wt. 510 lbs.**



Face Plate

Notes:

1. Boxes meet Washington Dept. of Transportation Specification 9-29.2
2. Loading: Load tested 60,000 lbs.
3. Optional: Grounding wire.
4. Cover Material: Diamond Plate (GALV).



Oldcastle Precast®
 Enclosure Solutions

MADERA/TRACY/ROSEVILLE/PHOENIX
 Phone: (800) 486-7070 Fax: (800) 486-6804
 Copyright © 2009 Oldcastle Precast Inc.

WDOT J-BOXES - HD

FILE NAME: WDOTHD_ISO

ISSUE DATE: January, 2009

www.oldcastleprecast.com

WDOT JB4 - 14x19
WDOT JB5 - 17x28
WDOT JB6 - 24x36

