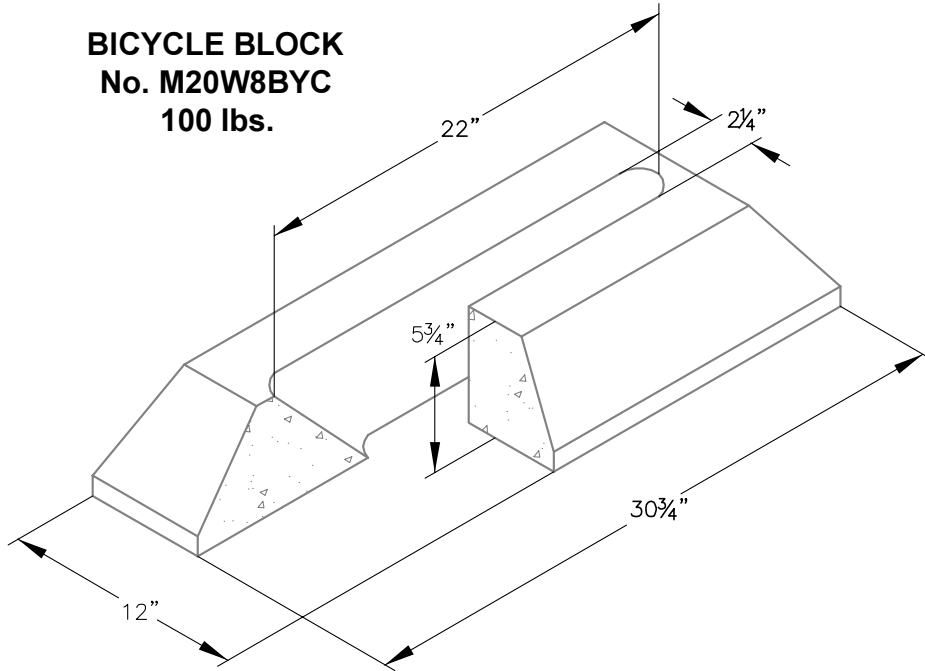


**BICYCLE BLOCK  
No. M20W8BYC  
100 lbs.**



A specifically designed bumper block for use in school campuses, shopping centers, apartments, playgrounds, ect. Made of reinforced concrete to withstand constant use and rough service. A 1" locking eye bolt will accommodate either steel chain or cable when used with a lock. Can be installed with epoxy adhesive for permanent installation or without for non-permanent use. will permit bicycle to stand in a vertical position without special blocking. Approximate dimensions and weight shown.

| Ordering Code | Item    | Approx. Shipping Weight | Description                            |
|---------------|---------|-------------------------|--|
| M20W8BYC      | BICYCLE | 100                     | W8 Bicycle Block with locking eye bolt |



**Oldcastle Precast**<sup>®</sup>  
Enclosure Solutions  
MADERA/TRACY/ROSEVILLE/PHOENIX  
Phone: (800) 486-7070 Fax: (800) 486-6804  
Copyright 2008 Oldcastle Precast Inc.

**BICYCLE BLOCK**

FILE NAME: 036M20W8BYC\_ISO  
ISSUE DATE: January, 2008  
[www.oldcastleprecast.com](http://www.oldcastleprecast.com)

**BICYCLE BLOCK**

