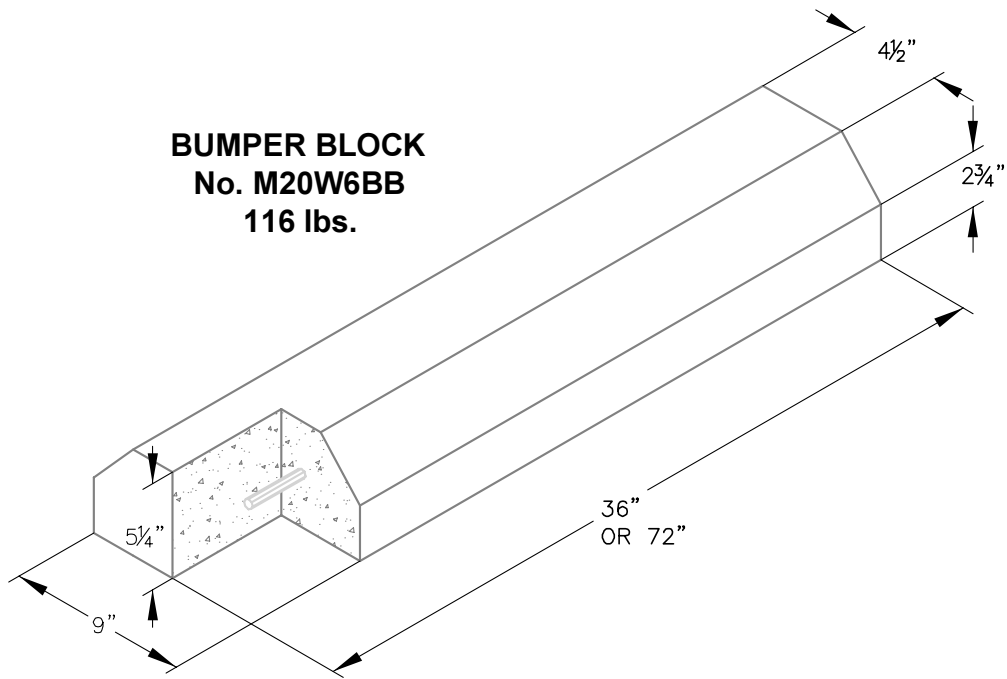


BUMPER BLOCK
No. M20W6BB
116 lbs.



A specifically designed bumper block for use in school campuses, shopping centers, apartments, playgrounds, ect. Made of reinforced concrete to withstand constant use and rough service. Can be installed with epoxy adhesive for permanent installation or without for non-permanent use. Approximate dimensions and weight shown.

Ordering Code	Item	Approx. Shipping Weight	Description
M20W6BB	BUMPER	116	3' Bumper block, reinforced concrete
M20W7BB	BUMPER	232	6' Bumper block, reinforced concrete

Miscellaneous



Oldcastle Precast®
 Enclosure Solutions
 MADERA/TRACY/ROSEVILLE/PHOENIX
 Phone: (800) 486-7070 Fax: (800) 486-6804
 Copyright 2008 Oldcastle Precast Inc.

BUMPER BLOCK

FILE NAME: 036M20W6BB_ISO
 ISSUE DATE: January, 2008
www.oldcastleprecast.com

BUMPER BLOCK

