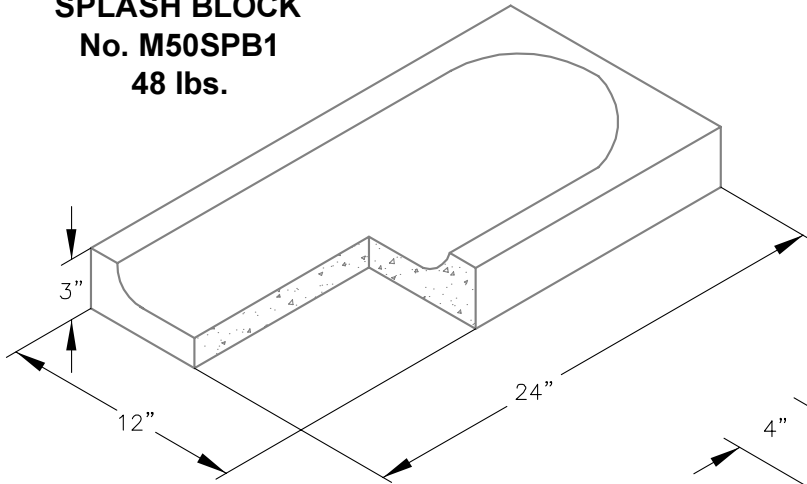
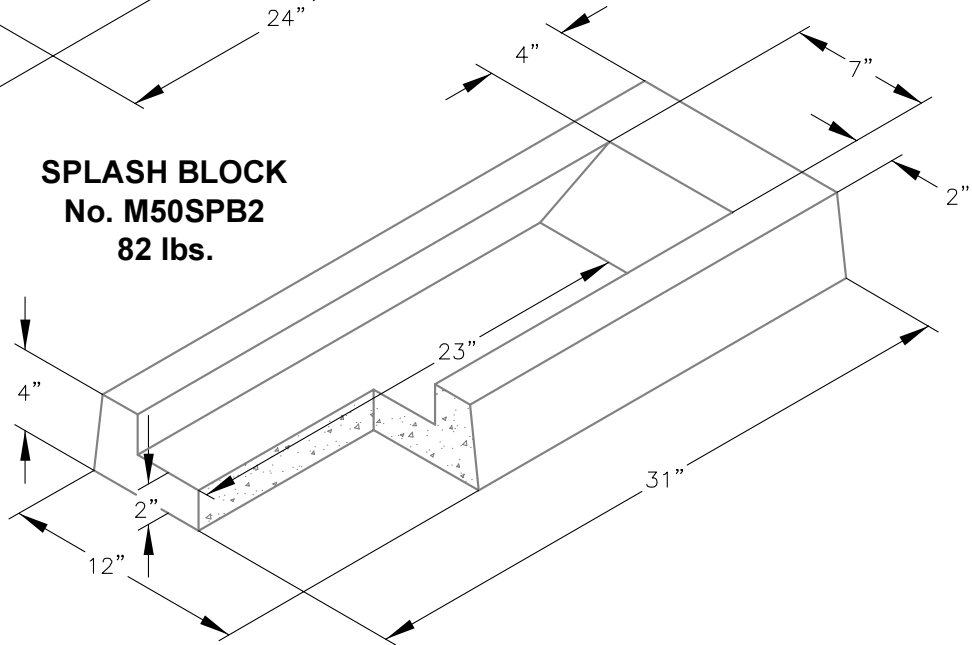


**SPLASH BLOCK
No. M50SPB1
48 lbs.**



**SPLASH BLOCK
No. M50SPB2
82 lbs.**



Ordering Code	Item	Approx. Shipping Weight	Description
M50SPB1	SPLASH	48	12" x 24" Splash block, reinforced concrete
M50SPB2	SPLASH	82	12" x 31" Splash block, reinforced concrete, FHA approved



Oldcastle Precast®
Enclosure Solutions
MADERA/TRACY/ROSEVILLE/PHOENIX
Phone: (800) 486-7070 Fax: (800) 486-6804
Copyright 2008 Oldcastle Precast Inc.

SPLASH BLOCK

FILE NAME: 036M50SPB_ISO

ISSUE DATE: January, 2008

www.oldcastleprecast.com

SPLASH BLOCK

