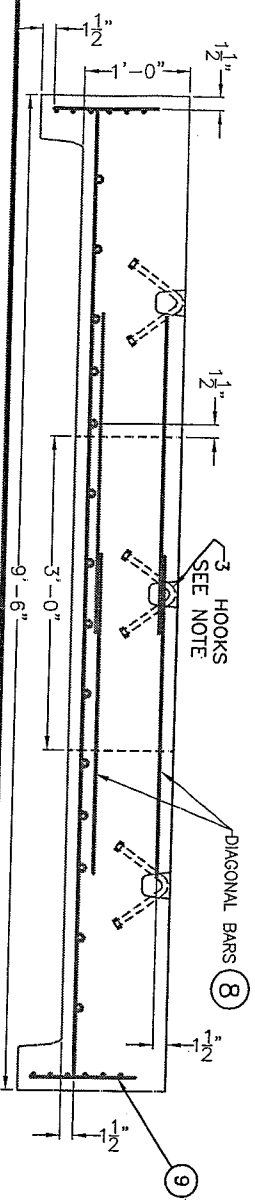
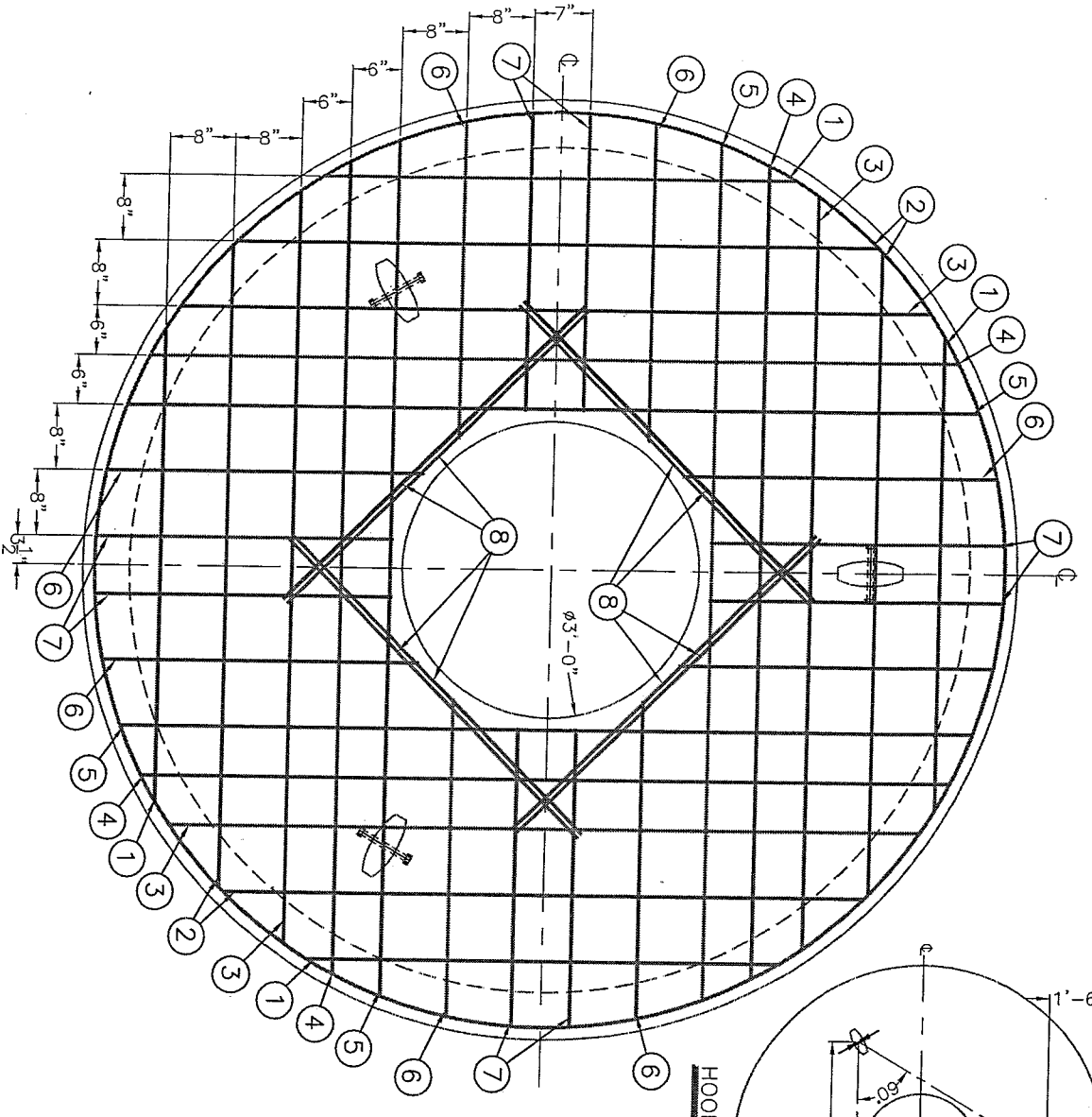
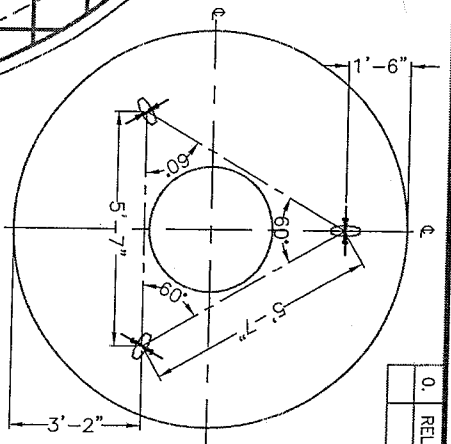


0.	RELEASED FOR APPROVAL	QIG	4/18/07
	Revision Description	BY	DATE

Approved For Fabrication

By: QIG  
Date: 4/19/07



HOOKS POSITION

ASTM GRADE 60 STEEL REBAR

ITEM NO.	BAR SIZE	BAR LENGTH	QTY.	TOTAL LENGTH	TOTAL WEIGHT
1	#5	4'-9"	4	19'-0"	19.8#
2	#5	6'-6"	4	26'-0"	27.1#
3	#5	7'-7"	4	30'-4"	31.6#
4	#5	8'-2"	4	32'-8"	34.1#
5	#5	8'-7"	4	34'-4"	35.8#
6	#5	3'-2"	8	25'-4"	26.4#
7	#5	3'-0"	8	24'-0"	25.1#
8	#5	4'-3"	8	34'-0"	35.5#
9	MESH 2x8-d5, 0.0xw2.5, 12" HIGH 29'-4" LONG, CIRCLE D = 9'-2"		44	225'-8"	235.4#
TOTAL					

NOTE: DAYTON SUPERIOR UTILITY ANCHOR PD. CODE 8UA671 SWL 45 LOAD 7070# OR CONAC A-ANCHOR PD. CODE 8CA18 LOAD 9100#  
CONCRETE QUANTITY = 2.6 C.Y.

**CALIFORNIA CONCRETE PIPE**  
2960 S. HIGHWAY 99  
STOCKTON, CA. 95215-8047  
(209) 466-4212  
FAX: (209) 466-2552

**Oldcastle**  
A DIVISION OF  
PRECAST, INC.

96" DIA. REINFORCED MANHOLE FLAT TOP 36" DIAMETER OPENING(CENTER)  
9" WALL  
MAXIMUM LOAD IS ONE H-20 (16K) WHEEL LOAD ONLY

DESIGN	DATE	BY	REVISION
QIG	4/19/07	10800#	
CONCRETE QUANTITY	SCALE NO SCALE	REVISION NO.	DATE
2.6 C.Y.		MH-96FTCO336D	
		1 OF 1	