

18R-V-LB-P

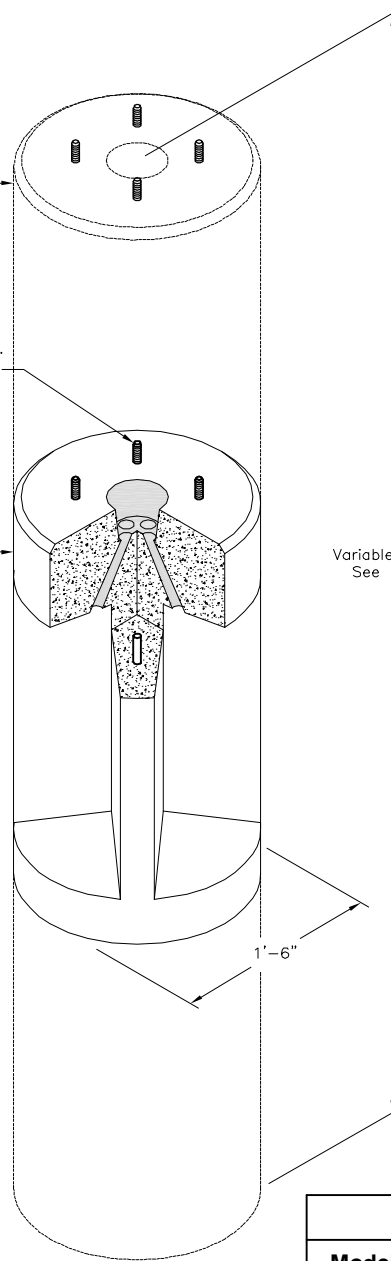
**LAMP BASE
No. 18R-V-LB-P**

See Chart For Weights

Anchor Bolts
Size and Spacing As Required
Minimum Bolt Circle = 8" Dia.
Maximum Bolt Circle = 14" Dia.
CUSTOMER TO SUPPLY

**LAMP BASE
No. 18R-V-LB-PS**

See Chart For Weights




Variable Height
See Chart

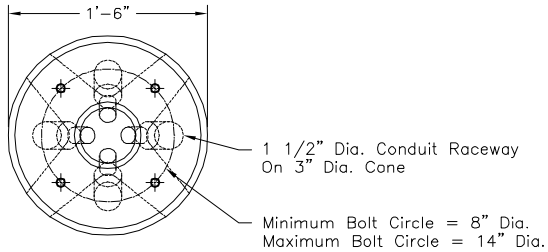
18R-V-LB-PS CHART		
Model No.	Height	Weight
18R-3-LB-PS	3'-0"	520 lbs.
18R-4-LB-PS	4'-0"	790 lbs.
18R-5-LB-PS	5'-0"	1,050 lbs.
18R-6-LB-PS	6'-0"	1,320 lbs.
18R-7-LB-PS	7'-0"	1,580 lbs.
18R-8-LB-PS	8'-0"	1,850 lbs.

18R-V-LB-P CHART		
Model No.	Height	Weight
18R-5-LB-P	5'-0"	1,040 lbs.
18R-6-LB-P	6'-0"	1,320 lbs.
18R-7-LB-P	7'-0"	1,580 lbs.
18R-8-LB-P	8'-0"	1,850 lbs.

SCALE: 3/4" = 1'-0"

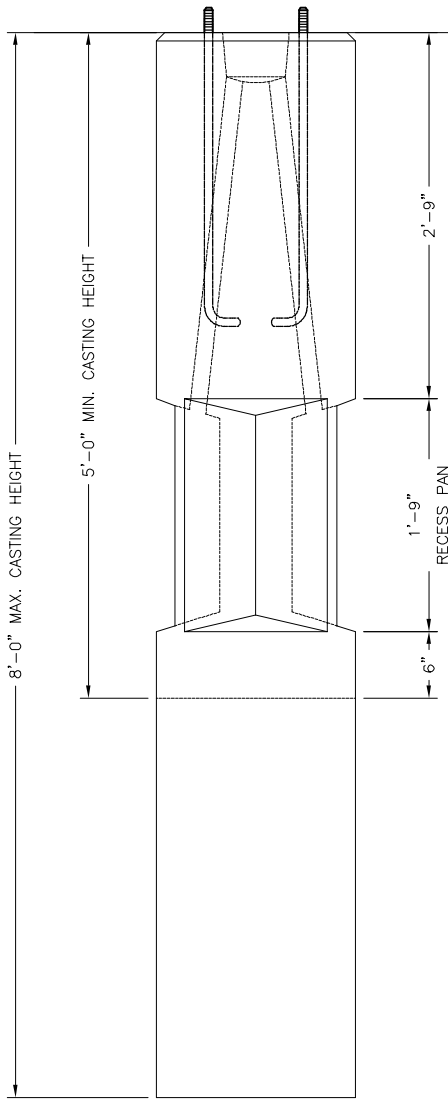
 <p>Oldcastle Precast® Utility Vault</p> <p>PO Box 588, Auburn, Washington 98071-0588 Tel: (253) 839-3500 Fax: (253) 735-4201</p>	<p>18R-V-LB-P</p>	<p>18" ROUND LAMP BASE STANDARD LAYOUT</p> <p>©1970-2010 Oldcastle Precast, Inc.</p>
	File Name: 010-18R	
	Issue Date: 2010	
	<p>www.uvauburn.com</p>	

18R-V-LB-P

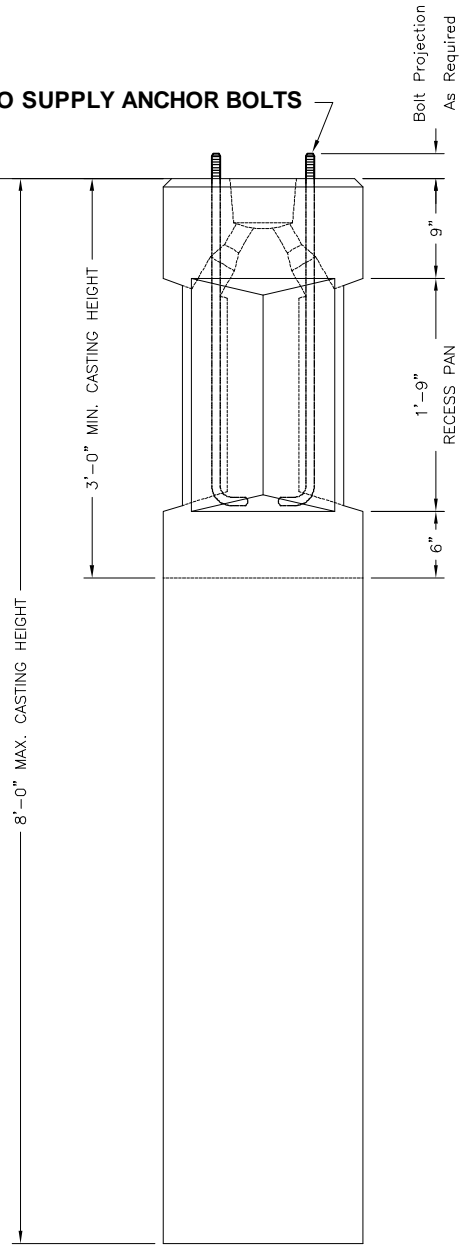


PLAN VIEW
18R-V-LB-P Lamp Base

CUSTOMER TO SUPPLY ANCHOR BOLTS




SIDE VIEW
18R-V-LB-P Lamp Base



SIDE VIEW
18R-V-LB-PS Lamp Base

SCALE: 3/4" = 1'-0"

 Oldcastle Precast[®] Utility Vault PO Box 588, Auburn, Washington 98071-0588 Tel: (253) 839-3500 Fax: (253) 735-4201	18R-V-LB-P	18" ROUND LAMP BASE STANDARD LAYOUT ©1970-2010 Oldcastle Precast, Inc.
	File Name: 010-18R	
	Issue Date: 2010	
	www.uvauburn.com	