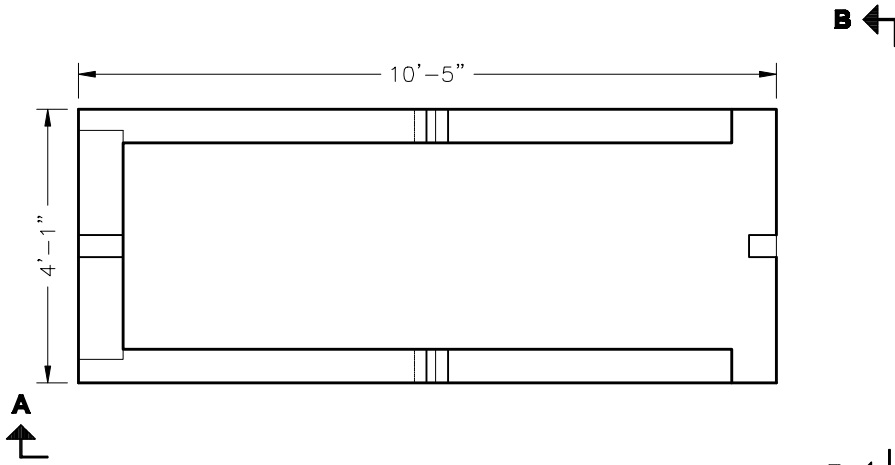
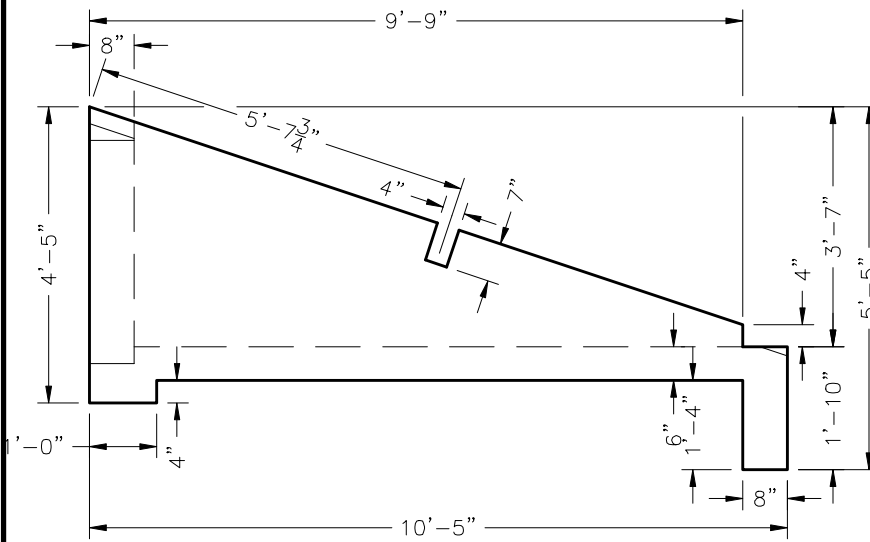


**3828TMDPE3B30**

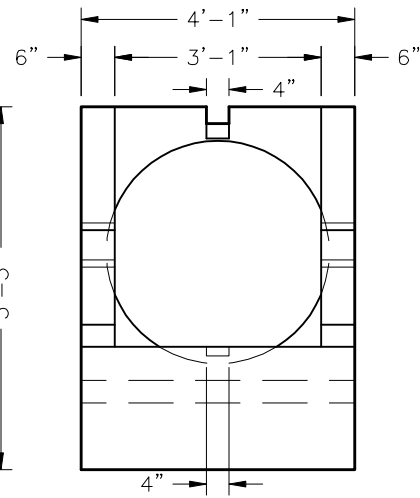
**D-PE-3B State Endwall for 30**



**PLAN VIEW**



**ELEVATION A-A**



**ELEVATION B-B**

**Scale: 3/8"=1'-0"**