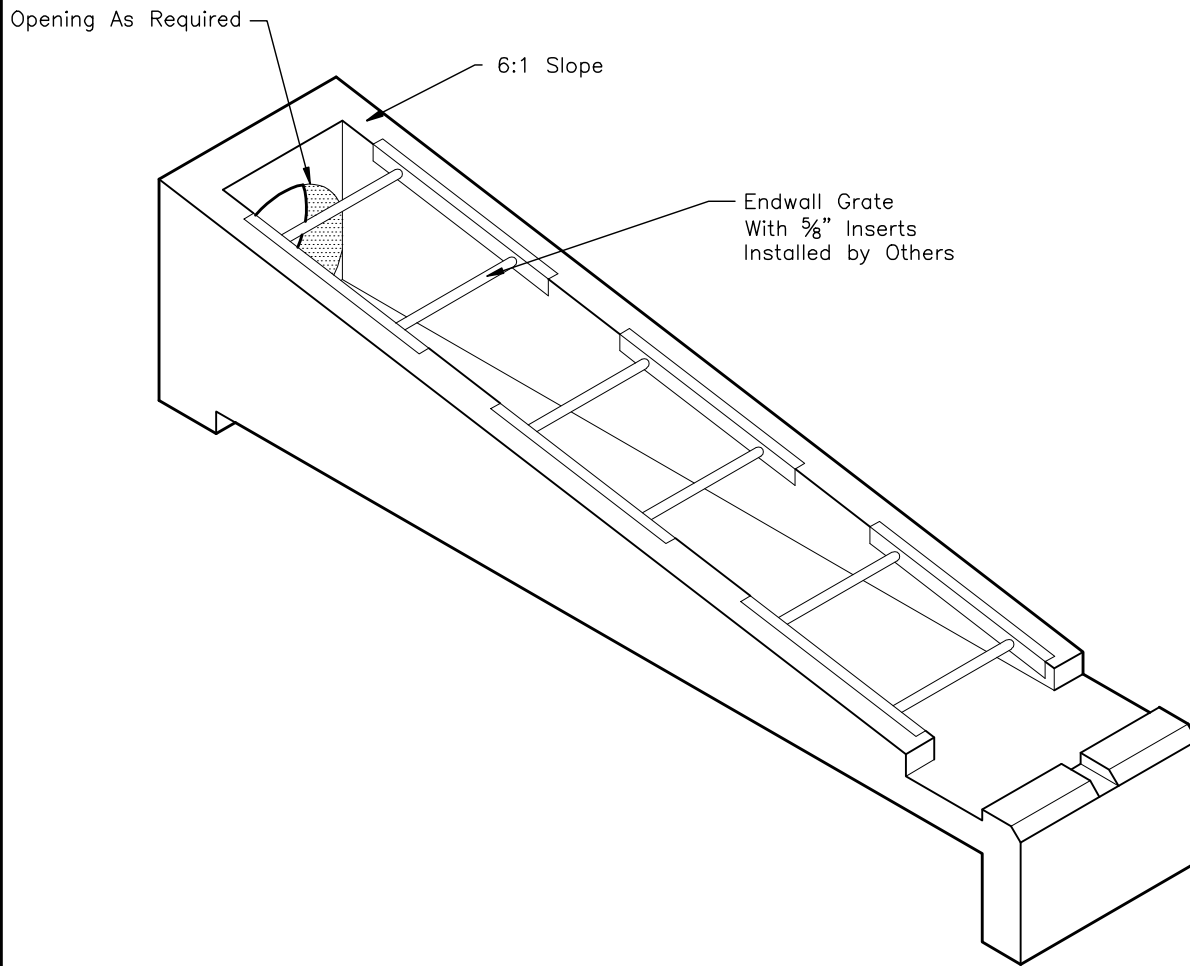


**382STMDSEW6D18**  
**D-SEW-6D State Endwall for 18**



www.oldcastle-precast.com

5900 East Division Street  
Lebanon, Tennessee 37090

Phone (615) 453-6111  
Fax (615) 453-6080

**ITEMS ARE SUBJECT TO CHANGE WITHOUT NOTICE.**  
**FOR DETAILS SEE REVERSE SIDE.**