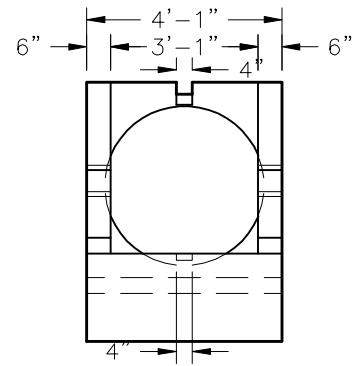
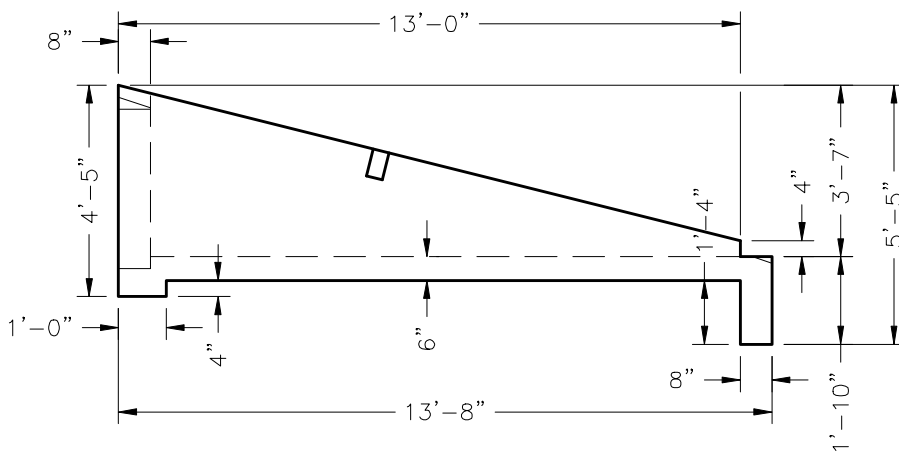
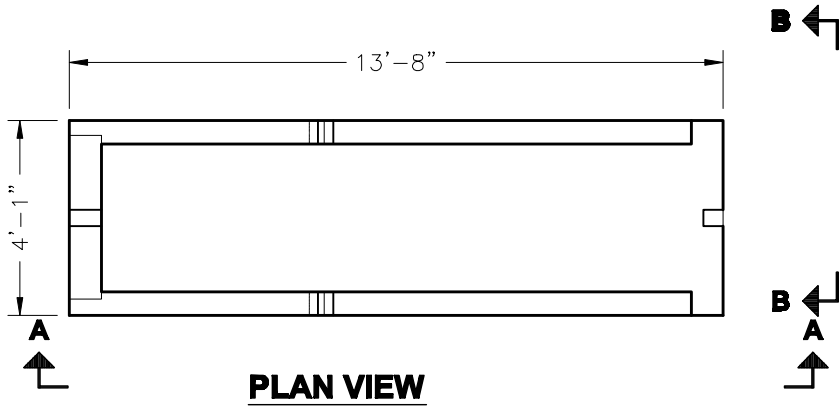


382STMDPE4B30

D-PE-4B State Endwall for 30



Scale: 1/4"=1'-0"