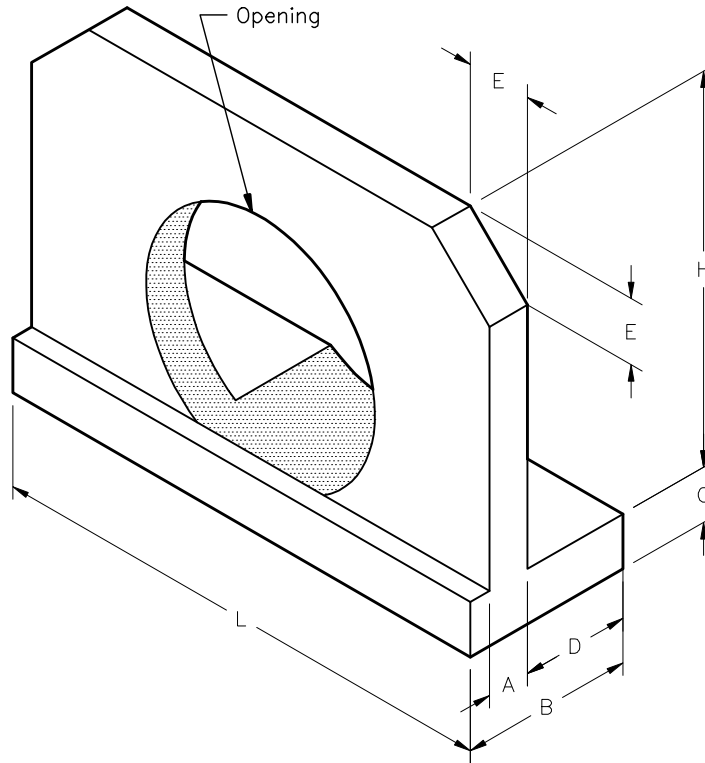


382STMSEW36-72
Straight Endwall For 36" Thru 72" Pipe



Other Size & Shape Openings Available

Pipe Size	L	H	A	B	C	D	E	Opening	Wt.
36"	96"	60"	8"	32"	10"	20"	12"	48"	5310#
42"	96"	66"	8"	32"	10"	20"	12"	54"	5375#
48"	120"	72"	8"	32"	12"	20"	16"	60"	7850#
54"	120"	78"	8"	32"	12"	20"	16"	68"	7790#
60"	144"	84"	10"	42"	12"	24"	20"	76"	12,865#
66"	144"	90"	10"	42"	12"	24"	20"	82"	12,615#
72"	168"	100"	10"	42"	12"	30"	24"	90"	16,950#

Concrete: 5000 PSI @ 28 Days
 Reinforcing: Grade 60



www.oldcastle-precast.com
 5900 East Division Street
 Lebanon, Tennessee 37090

Phone (615) 453-6111
 Fax (615) 453-6080

ITEMS ARE SUBJECT TO CHANGE WITHOUT NOTICE.