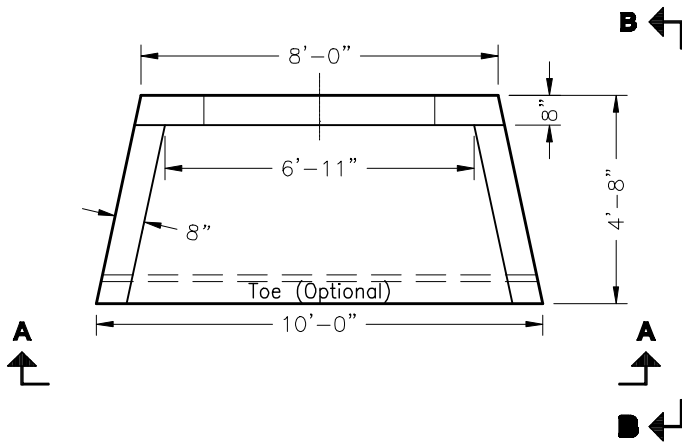
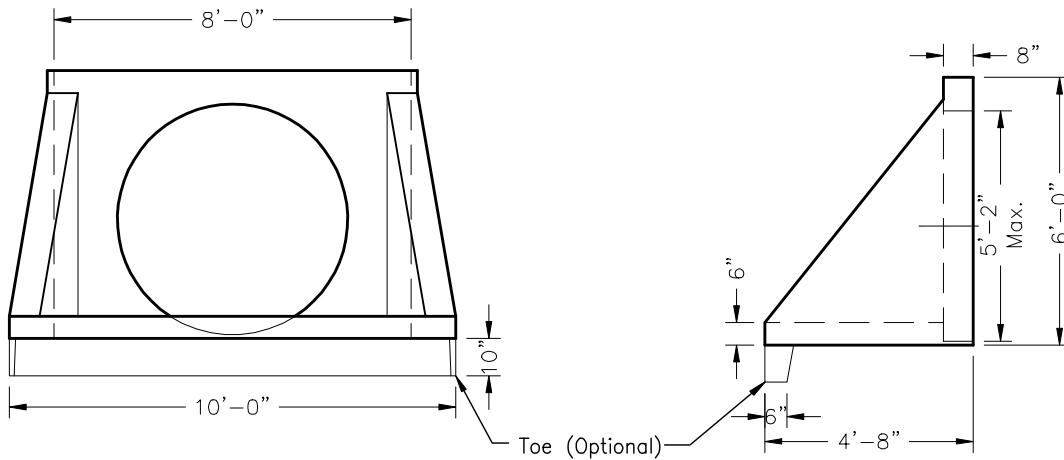


**382STM10HDWL**  
**10' WINGED HEADWALL**

Size	10'
Max. CMP	54"
Max. RCP	48"
WT. /#	8575
WT. /# W/Toe	9265



**PLAN VIEW**



**ELEVATION A-A**

**ELEVATION B-B**

**Scale: 1/4"=1'-0"**