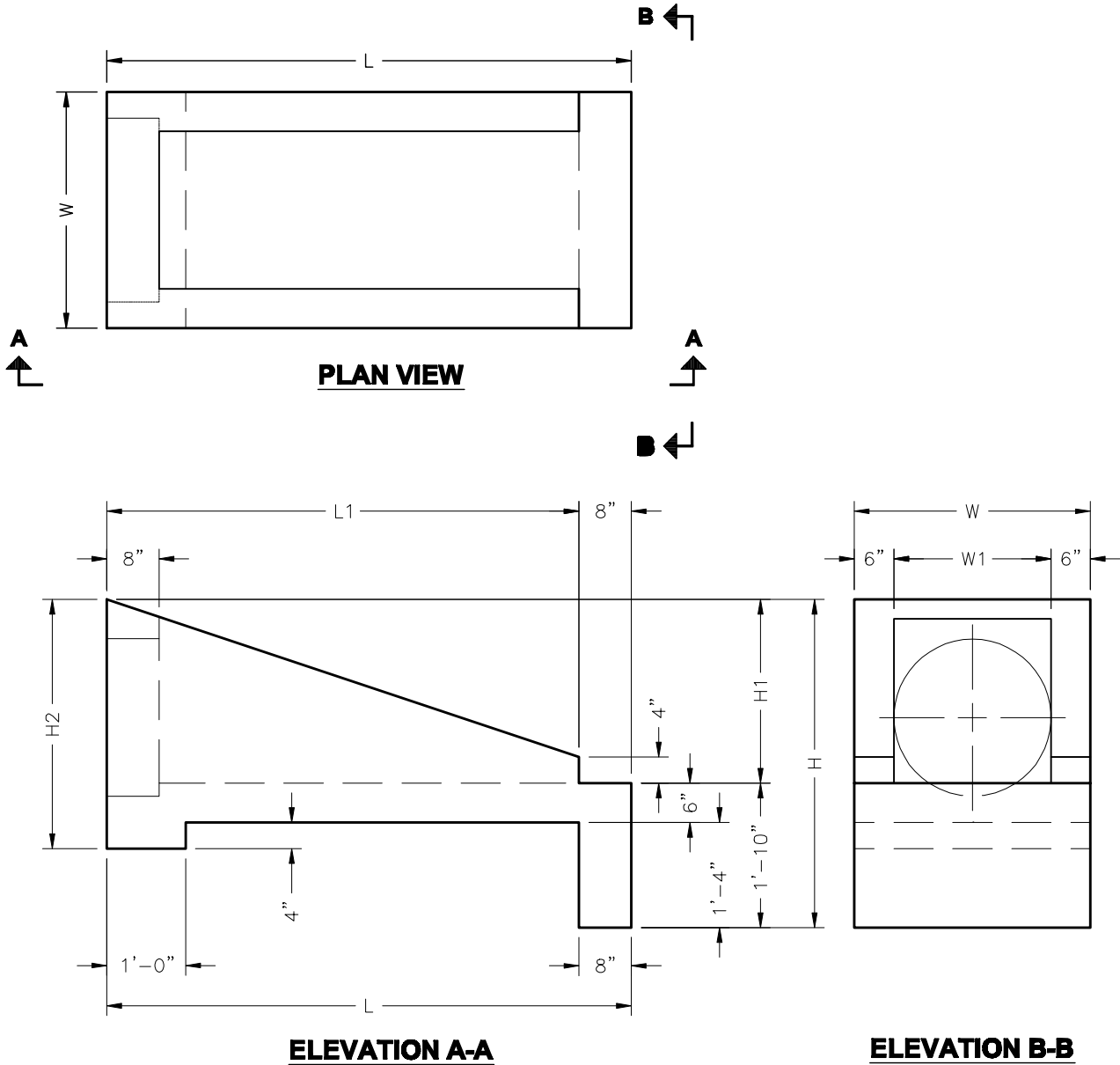


362STMDPE3B151824
D-PE-3B State Endwall for 15, 18, & 24



PIPE SIZE	L	L1	W	W1	H	H1	H2	"R"	"C"	WT.
15"	80"	72"	35"	23"	50"	28"	38"	20"	18"	4170#
18"	80"	72"	35"	23"	50"	28"	38"	24"	20"	4170#
24"	101"	93"	42"	30"	57"	35"	45"	32"	26"	6035#

"R" Dimension is for RCP
 "C" Dimension is for CMP

Scale: 1/2"=1'-0"