

382SMH5DIATR

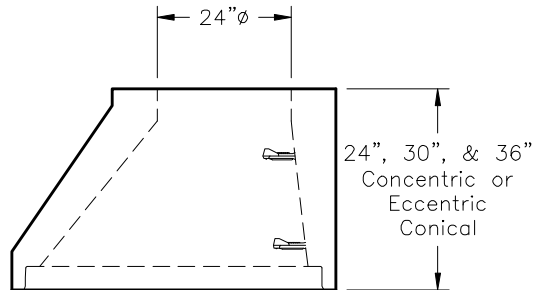
5' TO 4' DIAMETER TRANSITION MANHOLE

NOTES:

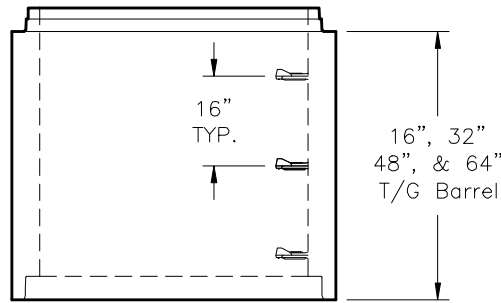
1. Concrete: 4,500 PSI @ 28 Days.
2. Reinforced per ASTM C-478 Specifications.
3. Openings Cored or Cast as Required.
4. Base Available with Open Bottom.

Weights:

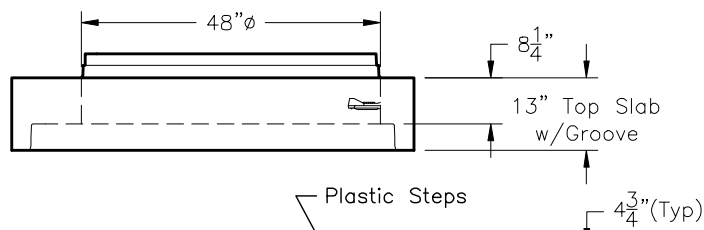
- 24" - 1280 Lbs
- 30" - 1860 Lbs
- 36" - 2440 Lbs
- 42" - 3325 Lbs
- (42" Concentric Only)



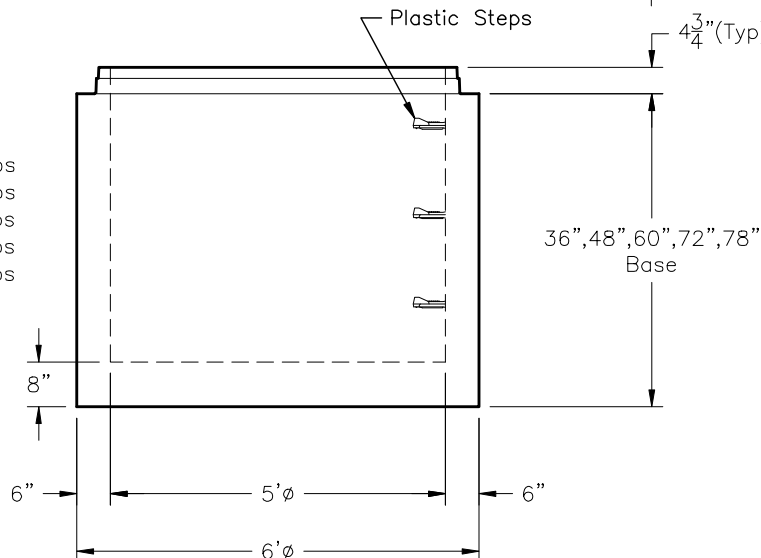
- 16" - 1117 Lbs
- 32" - 2235 Lbs
- 48" - 3353 Lbs
- 64" - 4471 Lbs



1,600 Lbs



- 36" = 6,449 Lbs
- 48" = 7,702 Lbs
- 60" = 8,954 Lbs
- 72" = 10,207 Lbs
- 78" = 10,833 Lbs



Scale: 3/8"=1'-0"