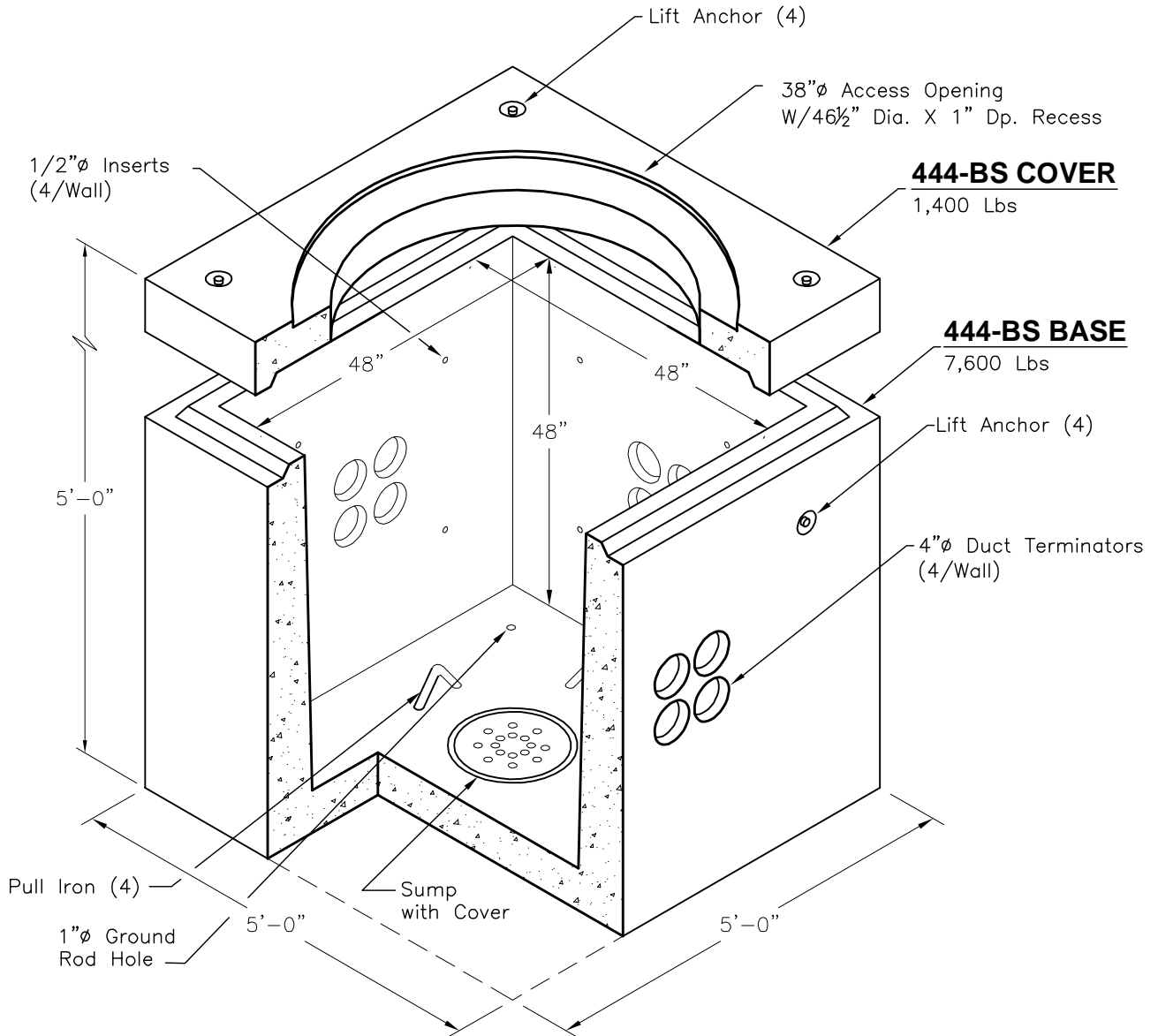


B-30 or SB-30
650 Or 580 Lbs



SCALE: 1/2" = 1'-0"



747 Allenridge Point, Lexington, KY 40510
Phone: 859-259-1484 Fax: 859-233-9351

UEP444PBTS-I

FILE NAME: 384UEP444PBTS-I.DWG

ISSUE DATE: February, 2002

www.oldcastleprecast.com

**4'-0" x 4'-0" x 4'-0" I.D.
Pull Box TS**

THIS DOCUMENT IS THE PROPERTY OF OLDCASTLE PRECAST, IT IS SUBMITTED FOR REFERENCE ONLY AND SHALL NOT BE USED IN ANY WAY INJURIOUS TO THE INTERESTS OF SAID COMPANY. COPYRIGHT 2007 Oldcastle Precast, Inc. All Rights Reserved.

UT-130