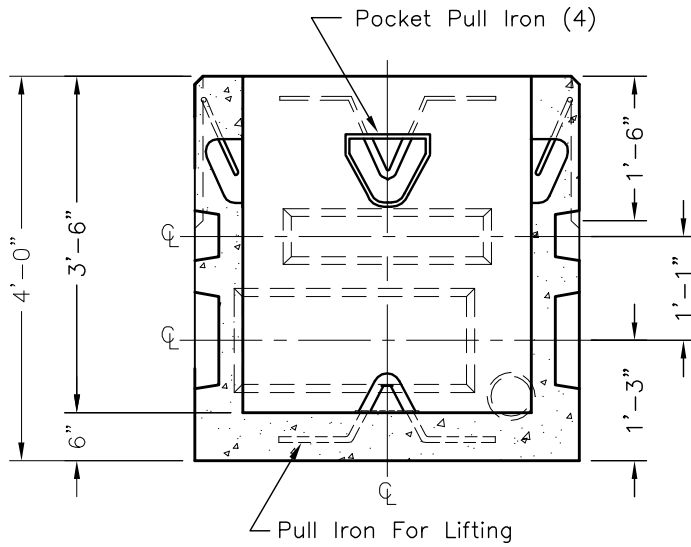


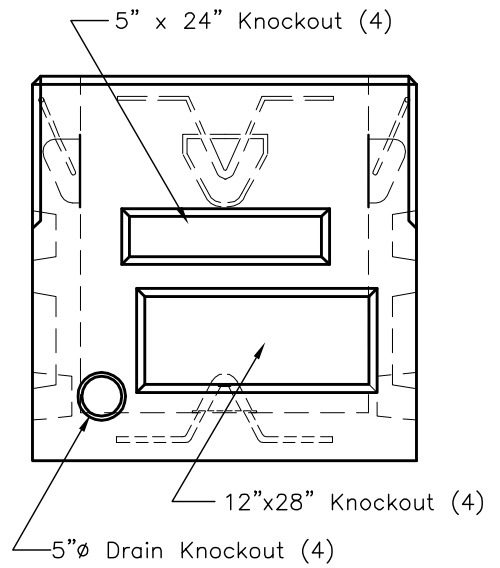
**PLAN VIEW**

GENERAL NOTES:

1. Concrete: 28 Day Compressive Strength  $f'c = 4,500$  psi.
2. Reinforcing: ASTM A-615, Grade 60.
3. Supports an H2O Loading as Indicated by AASHTO.
4. Weight: 4240#



**SECTION A-A**



**ELEVATION B-B**

SCALE: 1/2" = 1'-0"

**Oldcastle Precast®**  
 Cloud Concrete  
 747 Allenridge Point, Lexington, KY 40510  
 Phone: 859-259-1484 Fax: 859-233-9351

**UEP3336KU**

FILE NAME: 384UEP3336KU.DWG

ISSUE DATE: January, 2004

[www.oldcastleprecast.com](http://www.oldcastleprecast.com)

**3'-0" x 3'-0" x 3'-6" I.D.**  
**Pull Box**  
**Kentucky Utilities**