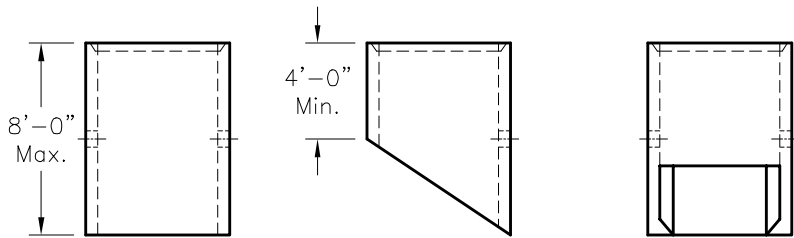


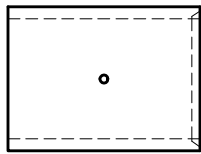
Box Culvert End Options



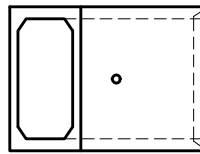
Plan View

Plan View

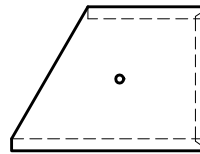
Plan View



Flat End



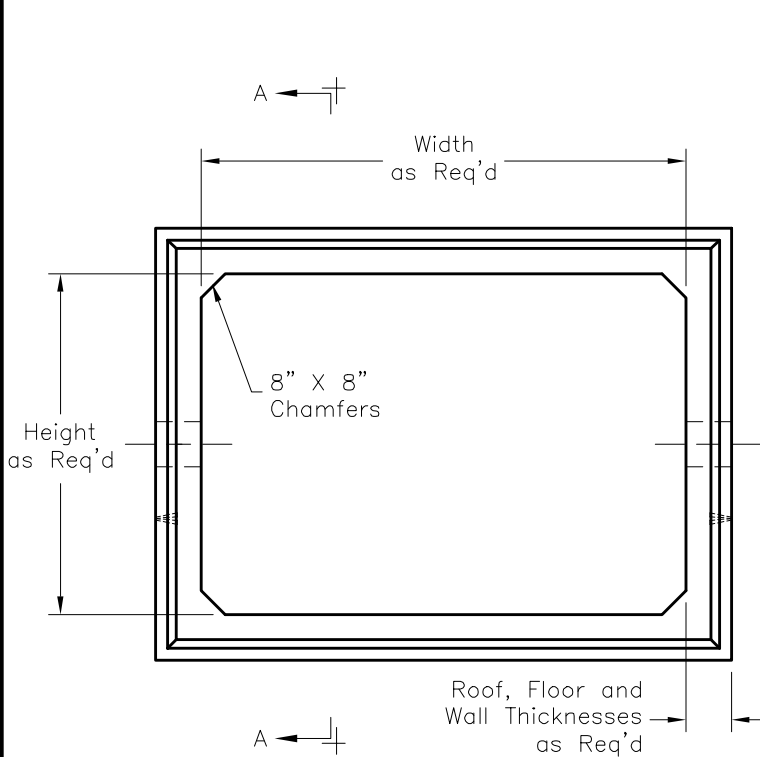
Skewed End



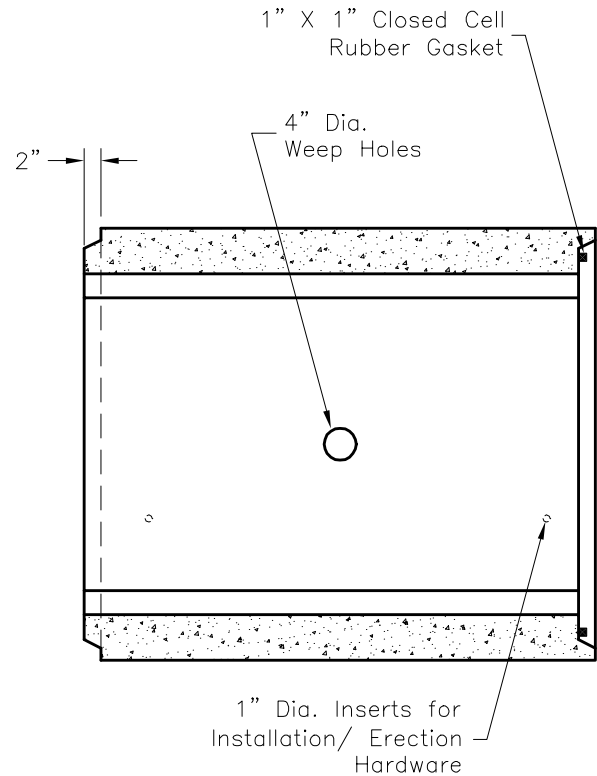
Sloped End

NOTES:

1. Concrete : 5,000 P.S.I.
Minimum Strength @ 28 Days.
2. Steel Reinforcing- ASTM A-615,
Grade 60.
3. Cover to Steel-1" Minimum.
4. Tanks are Designed to Meet ASTM
C858 and ACI 318 with AASHTO
HS-20 Loading.
5. Construction Joint-Sealed with
1" Dia. Butyl Rubber or Equivalent.
6. Earth Cover= 0 to 8 Feet Max.
7. Information on This Sheet is for
General Purposes Only, Contact
Office for Standard Sizes.



Front View



Section A-A



Typical Box Culvert

FILE NAME: 324BOXCULVERT_DET.DWG

ISSUE DATE: January, 2008

www.oldcastleprecast.com

Typical Box Culvert Dimensions as Req'd

Copyright © 2008 **Oldcastle Precast**