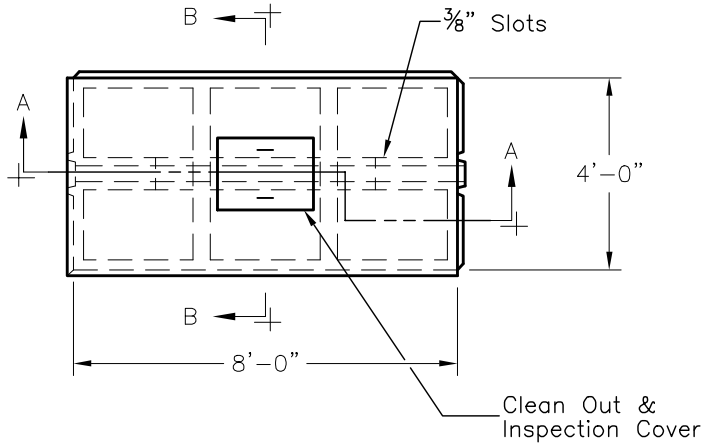
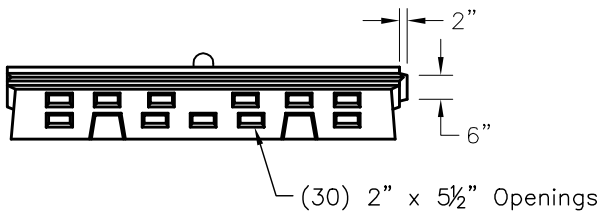


GENERAL NOTES:

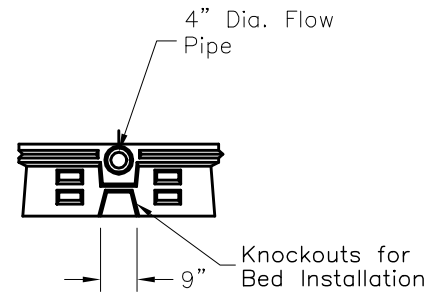
1. Concrete: 28 Day Compressive Strength $f'_c = 4,000$ psi
2. Steel Reinforcement: ASTM A-615, Grade 60
3. Cover to Steel-1" Minimum
4. Design Loading-HS-20
5. Earth Cover-1 to 5 Feet Max.
6. Construction Joint-Lapped
7. Approximate Wt. = 1.20 Tons



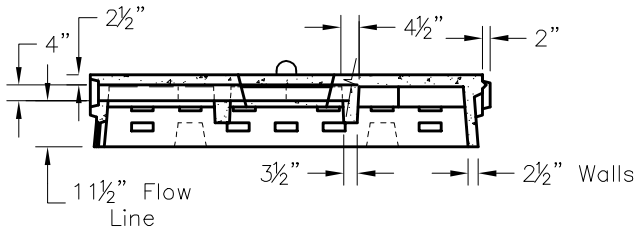
PLAN VIEW



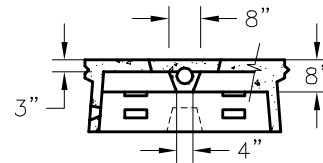
FRONT VIEW



SIDE VIEW



SECTION A-A



SECTION B-B



FD4X8-L

FILE NAME: 324ESGFD4X8-L_DET.DWG

ISSUE DATE: January, 2008

www.oldcastleprecast.com

4'-0" x 8'-0" x 1'-6"
FDL Flowdiffusor

Copyright © 2008 **Oldcastle Precast**