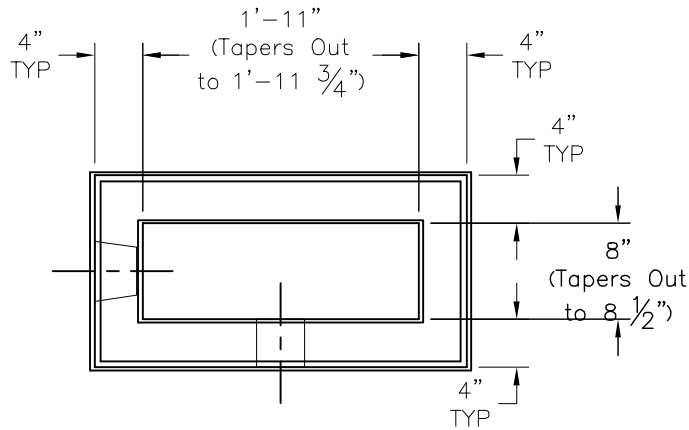


GENERAL NOTES

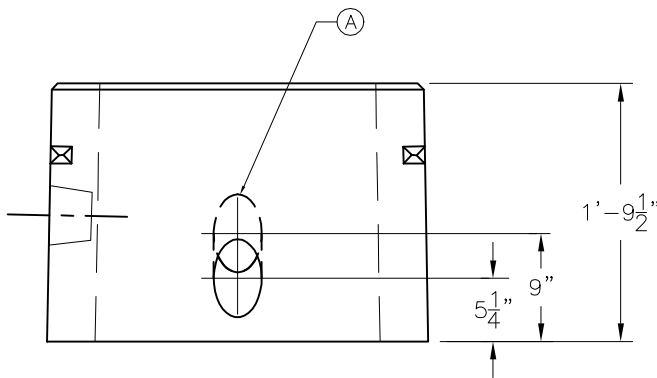
1. Concrete: 28 Day Compressive Strength $f'_c = 4,000$ psi.
2. Rebar: Grade 60 Per ASTM A615.
3. Design Loading: AASHTO HS20-44.
4. General Contract to Verify all Openings, Sizes and Locations.
5. Approx. Wt. = 580 Lbs.



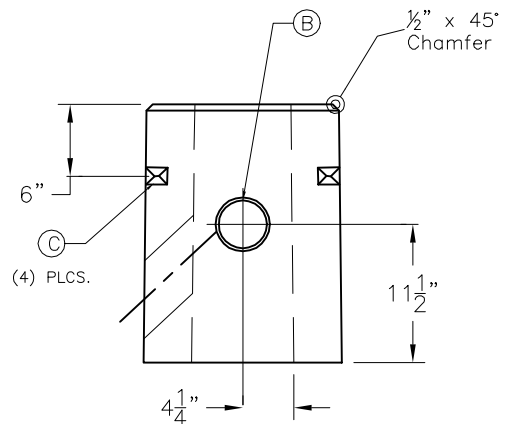
PLAN VIEW

DATA CHART

| LTR | QTY | Description |
|-----|-----|---------------------|
| (A) | 1 | 4" Dia. Angled Hole |
| (B) | 1 | 4" Dia. Knockout |
| (C) | 4 | Lifting Cable Notch |



ELEVATED VIEW



SIDE VIEW



HH823

FILE NAME: 325UEHH823_DET.DWG

ISSUE DATE: January, 2008

www.oldcastleprecast.com

**8" x 1'-11" x 1'-9" I.D.
Handhole
(MHD SD2. 030)**

Copyright © 2008 Oldcastle Precast, Inc.