

LIFTING INSERT

(2) Required

1" DIA. HOLE

For Pulling Eye

(4) Required

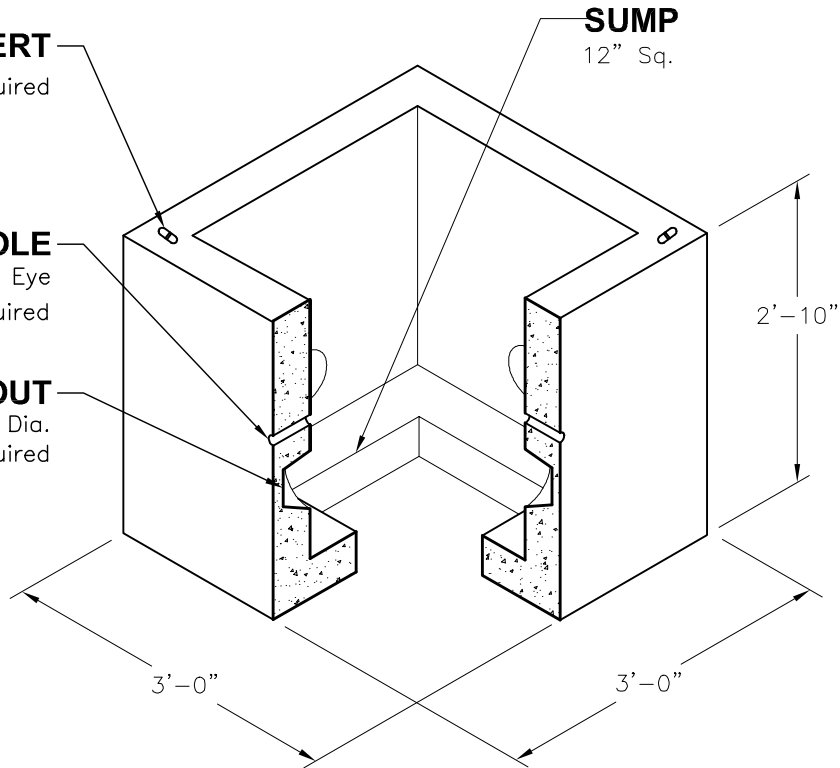
KNOCKOUT

4" Dia.

(4) Required

SUMP

12" Sq.



Oldcastle Precast[®]

HH2424-6

FILE NAME: 325UEHH2424-6_ISO.DWG

ISSUE DATE: January, 2008

www.oldcastleprecast.com

**2'-0" x 2'-0" x 2'-4" I.D.
Handhole
MHD Standard
2,500 Lbs**

Copyright © 2008 **Oldcastle Precast**[®]