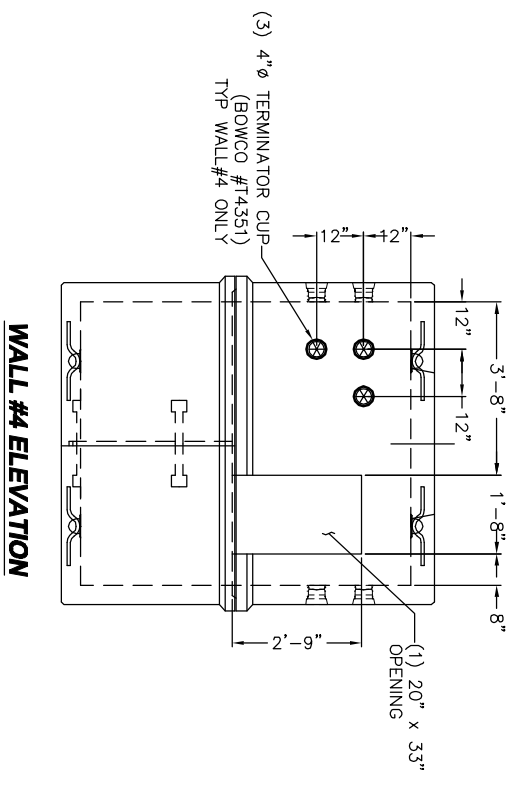
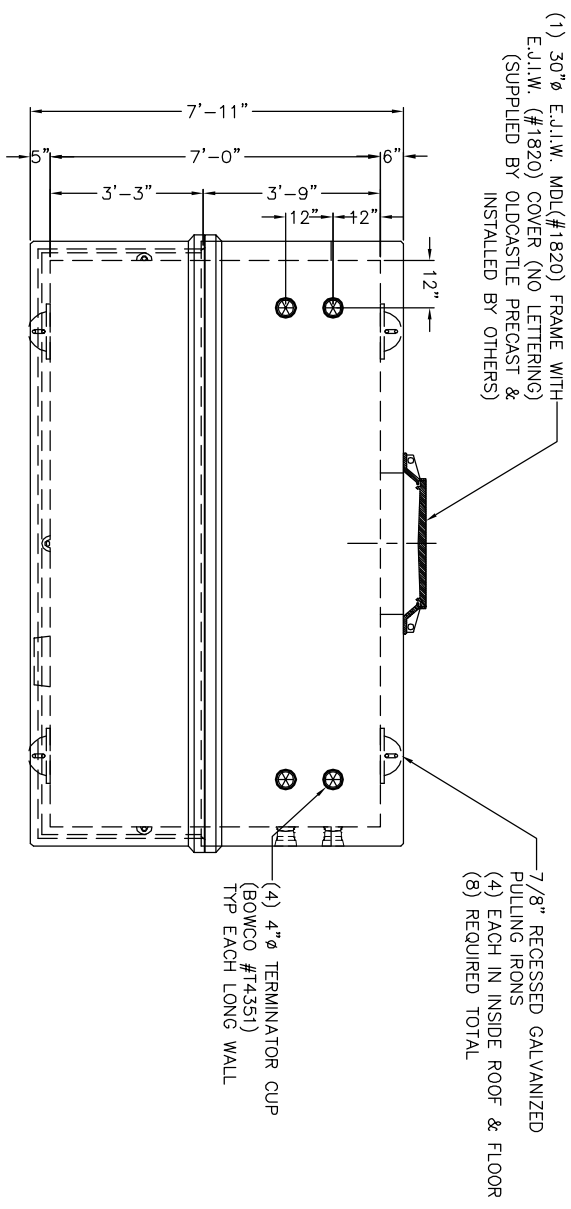
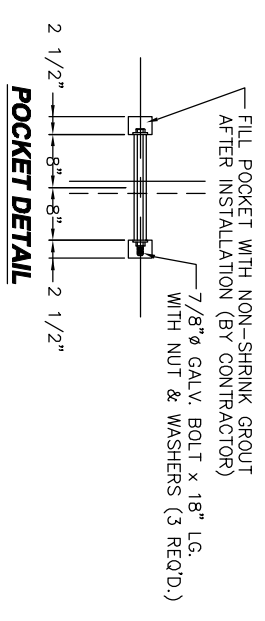


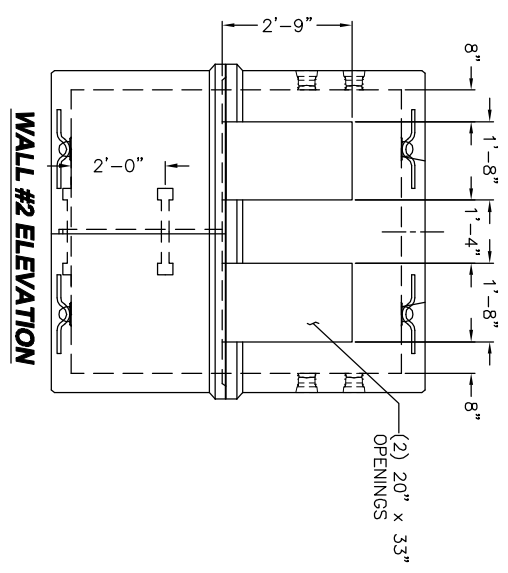
PLAN VIEW
 (FRAME & COVER NOT SHOWN FOR CLARITY)



WALL #4 ELEVATION



WALL #1 ELEVATION



WALL #2 ELEVATION

6'-0" x 12'-0" x 7'-0" PRECAST CONCRETE SPLIT BOTTOM - SLOTTED TOP

THIS DRAWING CONTAINS INFORMATION PROPRIETARY TO OLDCASTLE PRECAST. THIS DRAWING IS DISCLOSED WITH THE UNDERSTANDING THAT IT WILL BE RETURNED IN CONFIDENTIALITY TO THE ORIGINAL OWNER. ANY REPRODUCTION OF THIS DRAWING IS AUTHORIZED & THAT IT WILL BE RETURNED TO OLDCASTLE PRECAST ON DEMAND. CUSTOMER IS RESPONSIBLE TO VERIFY THAT INFORMATION SHOWN ON SHOP DRAWINGS IS IN COMPLIANCE WITH MOST PRESENT PROJECT DOCUMENTS & FIELD CONDITIONS. NOTE: PRODUCTION WILL NOT COMMENCE UNTIL RECEIPT OF SIGNED APPROVED SHOP DRAWINGS.

		5115 MASSAPONAX CHURCH RD. FREDERICKSBURG, VA. 22407 PHONE: 540.896.6300 FAX: 540.896.2389	
DRAWN BY:	DATE:	SCALE:	JOB NO.:
R.A.H.	3/19/08	1/4" = 1'-0"	
APPROVED BY:	DATE:	PROJECT:	
		SPLIT BOTTOM - SLOTTED TOP	
CUSTOMER:	SHEET NO.:	1 OF 1	
	FILE NAME:	6X12X7.MH-SBST.WTERRA.DWG	