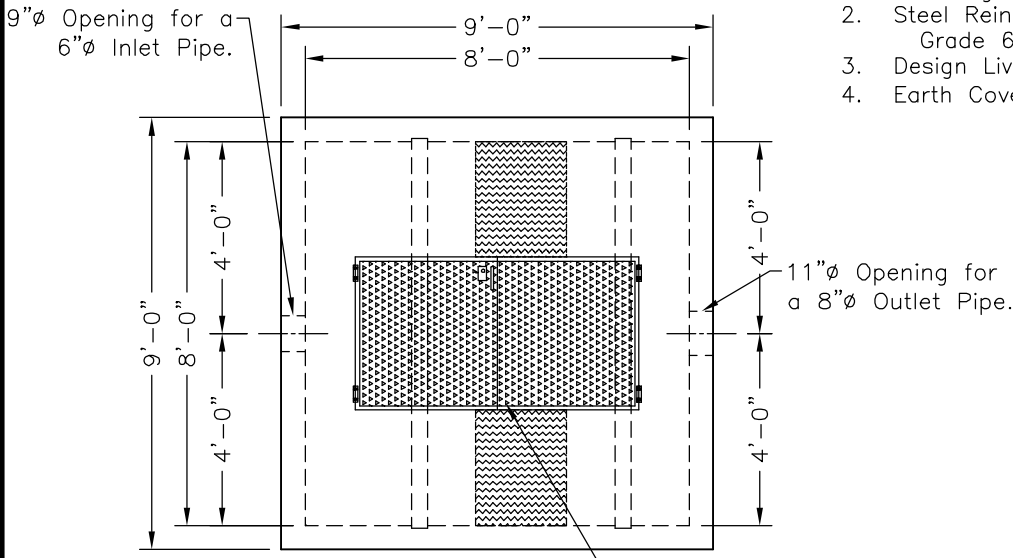


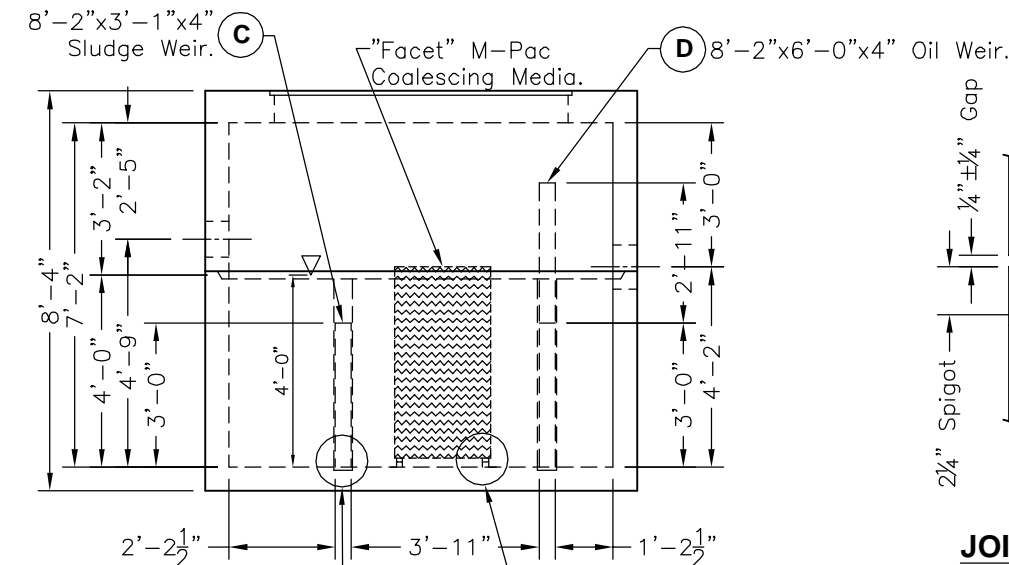
GENERAL NOTES:

1. Concrete: 28 Day Compressive Strength $f'_c = 5,000$ psi
2. Steel Reinforcement: ASTM A-615, Grade 60
3. Design Live Load: HS-20
4. Earth Cover: 0'-6" Min to 5'-0" Max

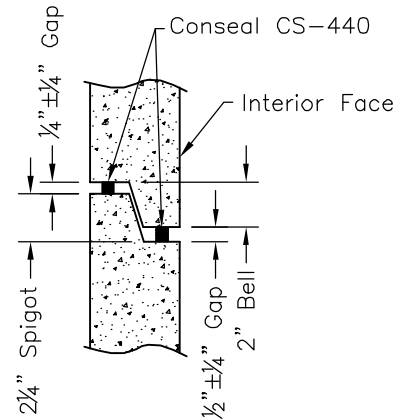


PLAN VIEW

5'-8⁷/₈" x 3'-0¹/₄" Clear Opening for a Utility Vault No. 2-332P Galv. Diamond Plate Covers, Hinged and Locking Hatch Supplied and Cast-in by Rotondo.



ELEVATION VIEW



JOINT DETAIL

SCALE: 1/4" = 1'-0"



5115 Massaponax Church Road, Fredericksburg, Virginia
Phone: 540.898.6300 Fax: 540.898.2389

O/W SEPERATOR

FILE NAME: 365DTCOM30DE.DWG

ISSUE DATE: January, 2003

8'-0" x 8'-0" x 7'-2"
Oil and Water Separator
(1920 G)

Copyright © 2003 Oldcastle Precast, Inc.