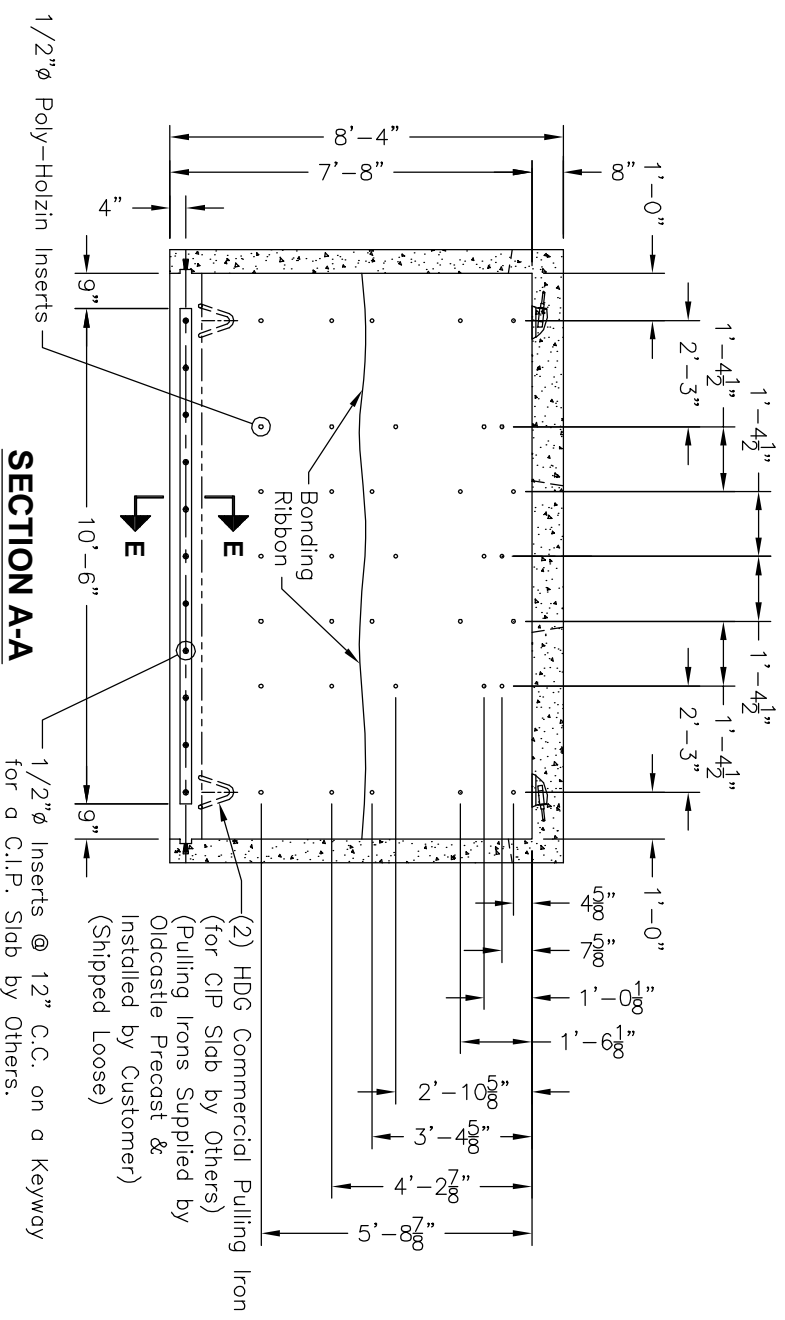
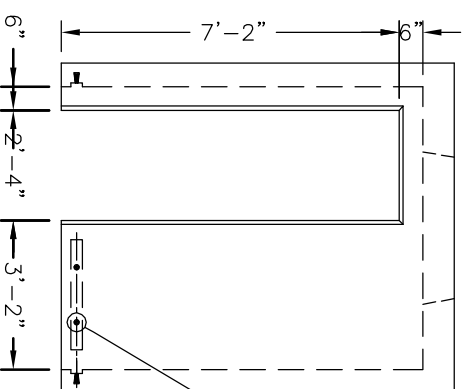


PLAN VIEW

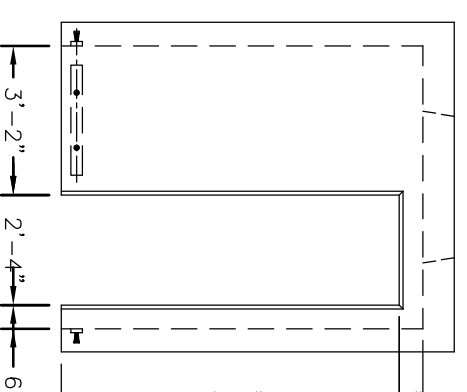


SECTION A-A

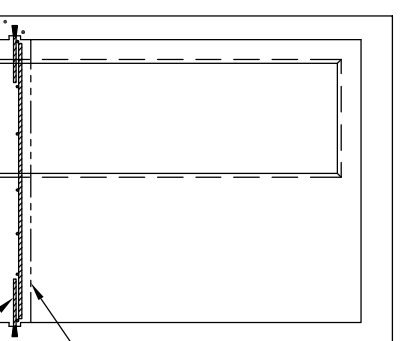
6'-0" X 12'-0" X 7'-8" MANHOLE OVERBUILD



ELEVATION B-B
(EXTERIOR WALL 2 ELEVATION)

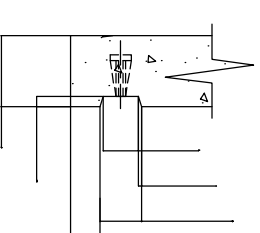


ELEVATION C-C
(EXTERIOR WALL 4 ELEVATION)



SECTION D-D

Poured in Place Floor Slab (by Others)
Floor Rebar Package Supplied by Oldcastle Precast & Installed by Customer



SECTION E-E

THIS DRAWING CONTAINS INFORMATION PROPRIETARY TO OLDCASTLE PRECAST. THIS DRAWING IS DISCLOSED WITH THE UNDERSTANDING THAT IT WILL BE RETURNED IN CONFIDENTIALITY TO OLDCASTLE PRECAST. NO REPRODUCTION OF THIS DRAWING IS AUTHORIZED & THAT IT WILL BE RETURNED TO OLDCASTLE PRECAST ON DEMAND. CUSTOMER IS RESPONSIBLE TO VERIFY THAT INFORMATION SHOWN ON SHOP DRAWINGS IS IN COMPLIANCE WITH MOST PRESENT PROJECT DOCUMENTS & FIELD CONDITIONS. NOTE: PRODUCTION WILL NOT COMMENCE UNTIL RECEIPT OF SIGNED APPROVED SHOP DRAWINGS.

		5115 MASSAPONAX CHURCH RD. FREDERICKSBURG, VA. 22407 PHONE: 540.898.6300 FAX: 540.898.2389	
DRAWN BY:	DATE:	SCALE:	JOB NO:
R.A.H.	3/19/08	#####-0'	
APPROVED BY:	DATE:	PROJECT:	
		6'-0" X 12'-0" X 7'-0" PRECAST CONCRETE OVERBUILD	
CUSTOMER:	SHEET NO:	TITLE:	
	1 OF 1	6X12X7-MH-OVERBUILD [STD].DWG	