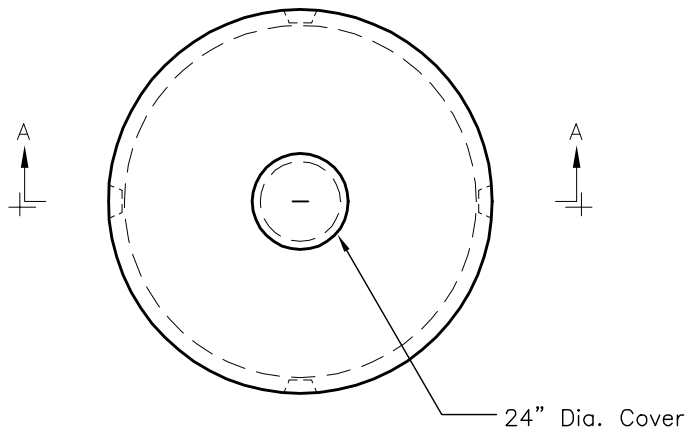
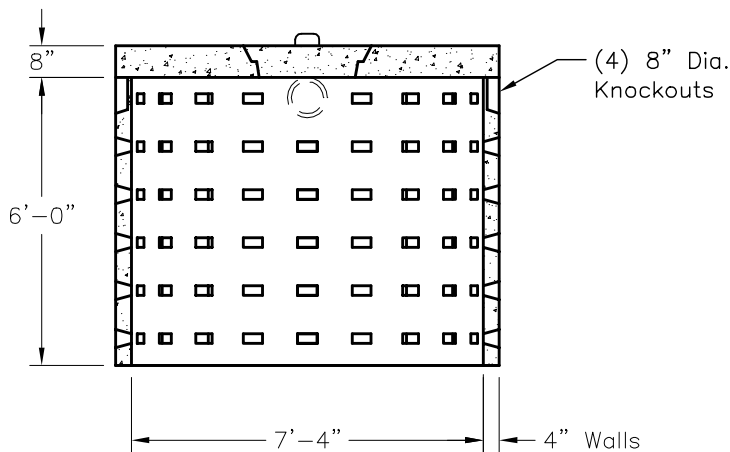


GENERAL NOTES:

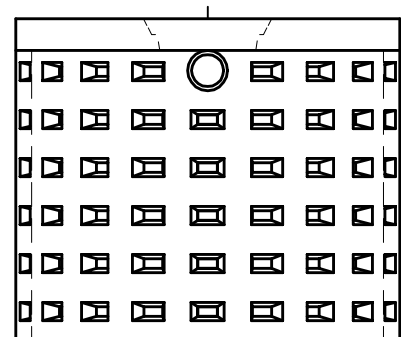
1. Concrete: 28 Day Compressive Strength $f'_c = 4,000$ psi
2. Steel Reinforcement: ASTM A-615, Grade 60, ASTM A-185, Grade 65
3. Cover to Steel-1" Minimum
4. Design Loading-AASHTO HS-20
5. Earth Cover-0 to 5 Feet Max.
6. Construction Joint-Flat
7. Approximate Weights
 Top Slab @ 2.50 Tons
 6' Base Section @ 3.50 Tons



PLAN VIEW



SECTION A-A



END VIEW



DW8-6HD

FILE NAME: 324DDWDW8-6HD_DET.DWG

ISSUE DATE: January, 2008

www.oldcastleprecast.com

**7'-4" x 6'-0" I.D.
 Dry Well**

Copyright © 2008 **Oldcastle Precast**