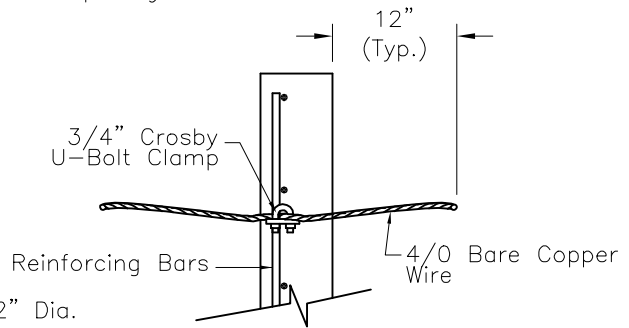


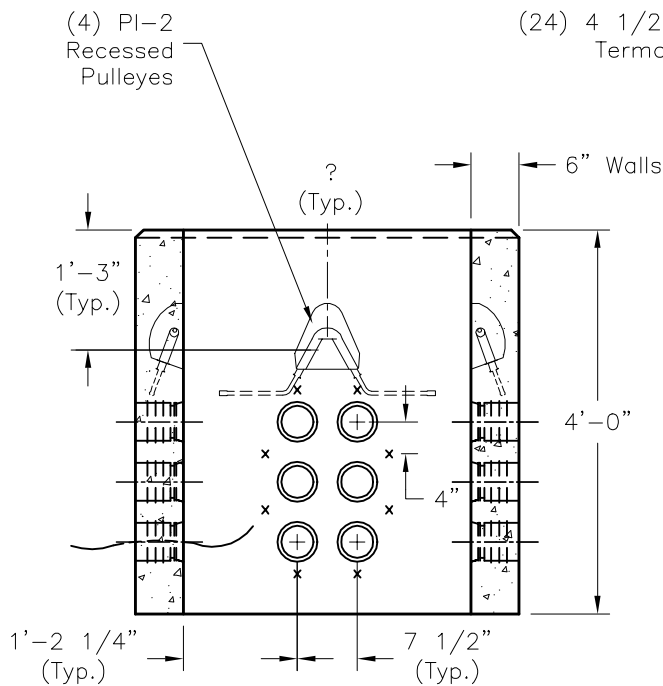
PLAN VIEW

NOTES:

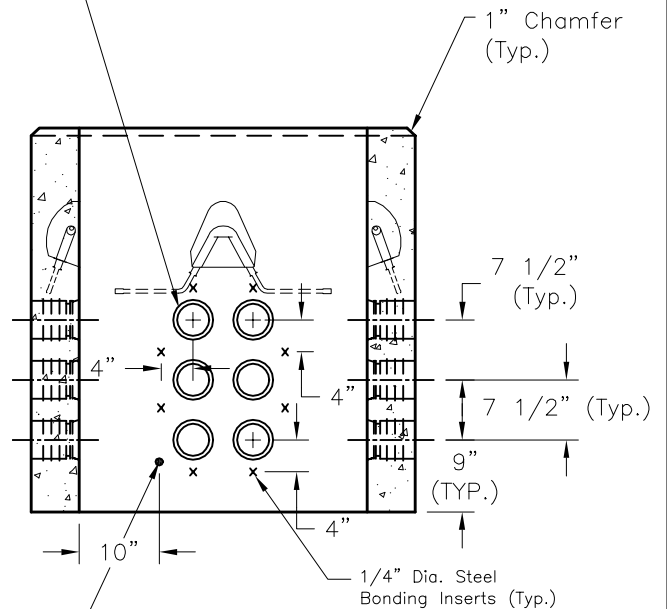
1. Concrete : 5,000 P.S.I
Minimum Strength@ 28 Days
2. Steel Reinforcing- ASTM A-615,
Grade 60.
3. Cover to Steel-1" Minimum
4. Vault are Designed to Meet ASTM
C858 and ACI 318 With AASHTO
HS-20 Loading
5. Earth Cover -0 to 5 Feet Max.
Minimum
6. Construction Joint-Sealed with
1" Dia Butyl Rubber or Equivalent



DETAIL "A"



SECTION A-A



SECTION B-B

4/0 Copper
Ground Wire
See Detail "A"



NS3X3X4

FILE NAME: 324UEENS3X3X4_DET.DWG

ISSUE DATE: January, 2008

www.oldcastleprecast.com

**3'-0" x 3'-0" x 4'-0" I.D.
NSTAR Utility Vault
M1207 - Cat. # 9436**

Copyright © 2008 Oldcastle Precast