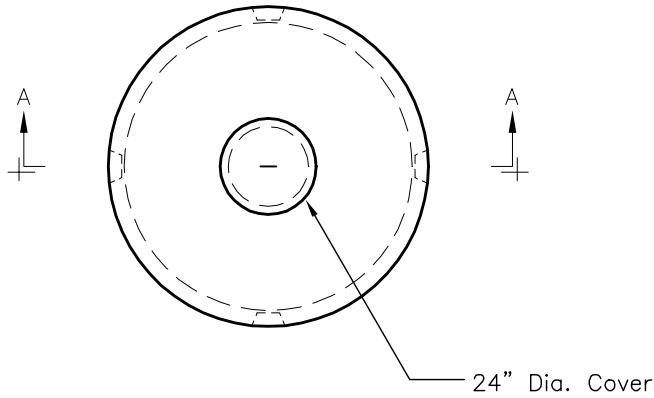
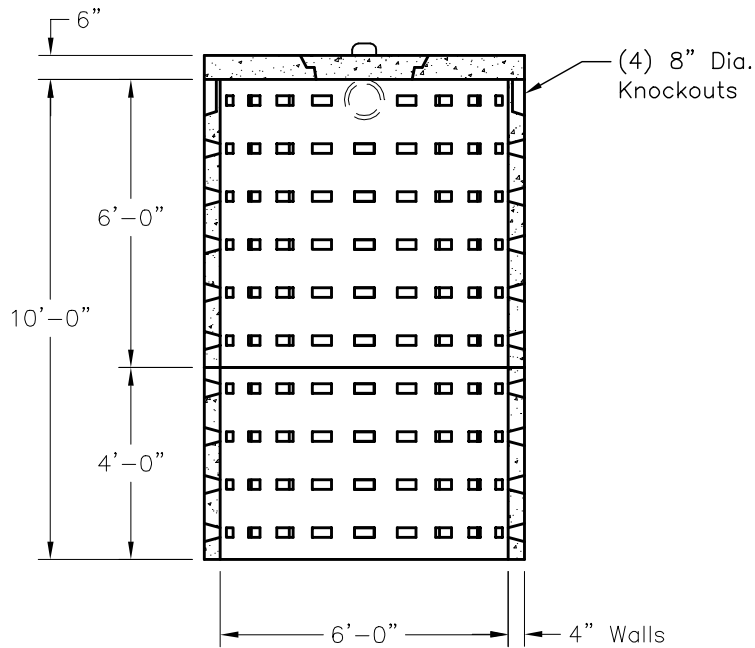


GENERAL NOTES:

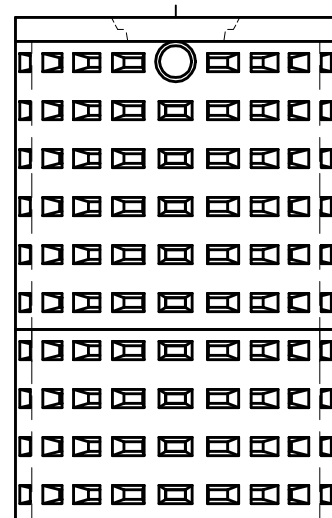
1. Concrete: 28 Day Compressive Strength  $f'_c = 4,000$  psi
2. Steel Reinforcement: ASTM A-615, Grade 60, ASTM A-185, Grade 65
3. Cover to Steel-1" Minimum
4. Design Loading--AASHTO HS-20
5. Earth Cover--0 to 5 Feet Max.
6. Construction Joint--Flat
7. Approximate Weights  
 Top Slab @ 1.30 Tons  
 6' Base Section @ 3.0 Tons  
 4' Base Section @ 2.0 Tons



**PLAN VIEW**



**SECTION A-A**



**END VIEW**



**DW6-10HD**

FILE NAME: 324DDWDW6-10HD\_DET.DWG

ISSUE DATE: January, 2008

[www.oldcastleprecast.com](http://www.oldcastleprecast.com)

**6'-0" x 10'-0" I.D.  
Dry Well**

Copyright © 2008 **Oldcastle Precast**