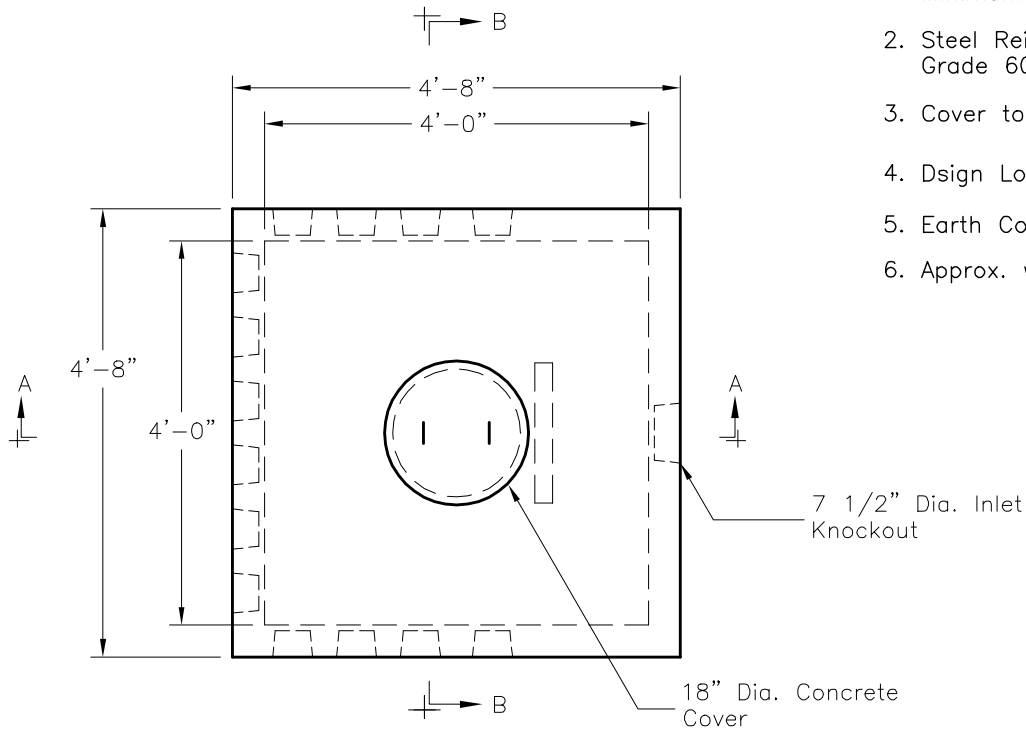
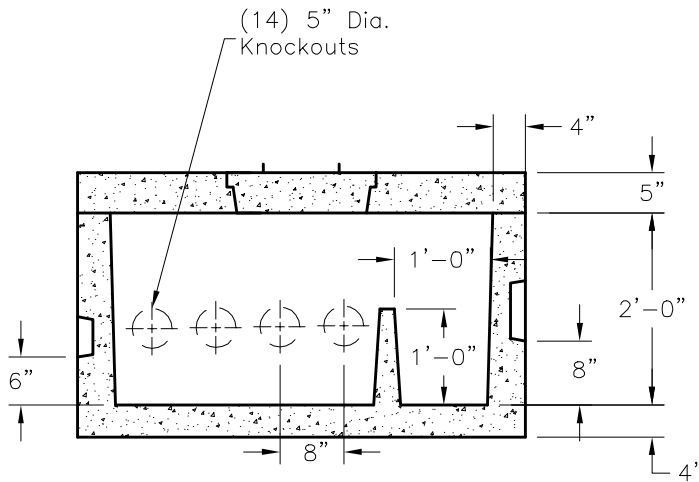


**NOTES:**

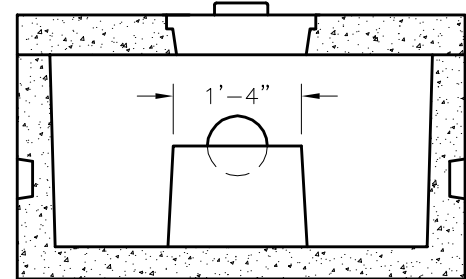
1. Concrete: 4,000 P.S.I  
Minimum Strength @ 28 Days
2. Steel Reinforcement: ASTM A-615,  
Grade 60
3. Cover to Steel-1" Minimum
4. Design Loading - HS20
5. Earth Cover 1'-5' Max.
6. Approx. wt. = 2.1 tons  
(4120 lb)



**PLAN VIEW**



**SECTION A-A**



**SECTION B-B**



**DB-14**

FILE NAME: 324ESDDB-14\_DET.DWG

ISSUE DATE: January, 2008

[www.oldcastleprecast.com](http://www.oldcastleprecast.com)

**4'-0" x 4'-0" x 2'-9" I.D.  
14 Outlet D-Box  
Weight 4,120 Lbs.**

Copyright © 2008 **Oldcastle Precast**