

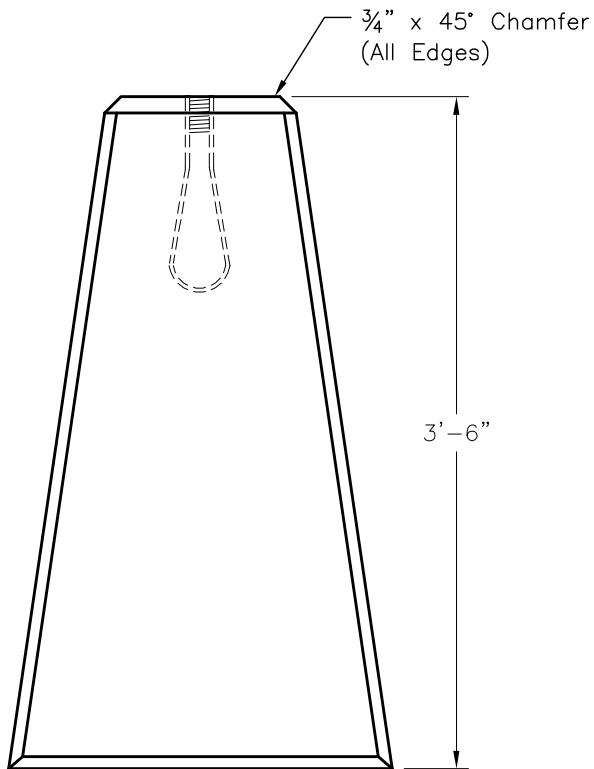
**PLAN VIEW**

GENERAL NOTES:

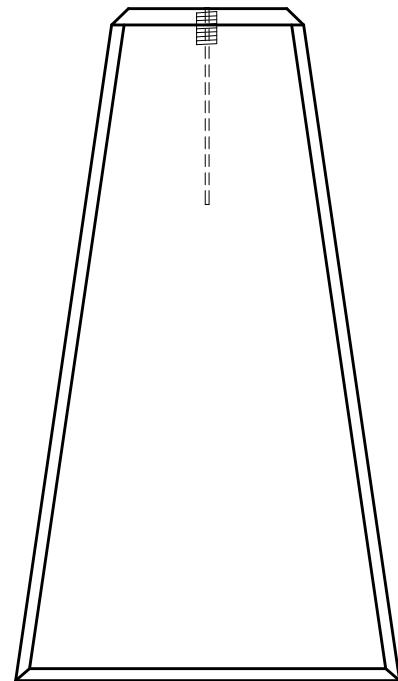
1. Concrete: 28 Day Compressive Strength  $f'_c = 5,000$  psi
2. Rebar: Grade 60 Per ASTM A615 (Black).

DATA CHART

LTR	QTY	Description
(A)	1 Pcs.	$\frac{3}{4}$ " x 12" Tyloop



**ELEVATION VIEW**



**SIDE ELEVATION**



**Oldcastle Precast**<sup>®</sup>

**BOL 122442**

FILE NAME: 325MABBOL122442\_DET.DWG

ISSUE DATE: January, 2008

[www.oldcastleprecast.com](http://www.oldcastleprecast.com)

**12" Top x 24" Bottom x 3'-6" High  
Bollard (Tapered)  
1,100 Lbs.**

Copyright © 2008 **Oldcastle Precast**<sup>®</sup>