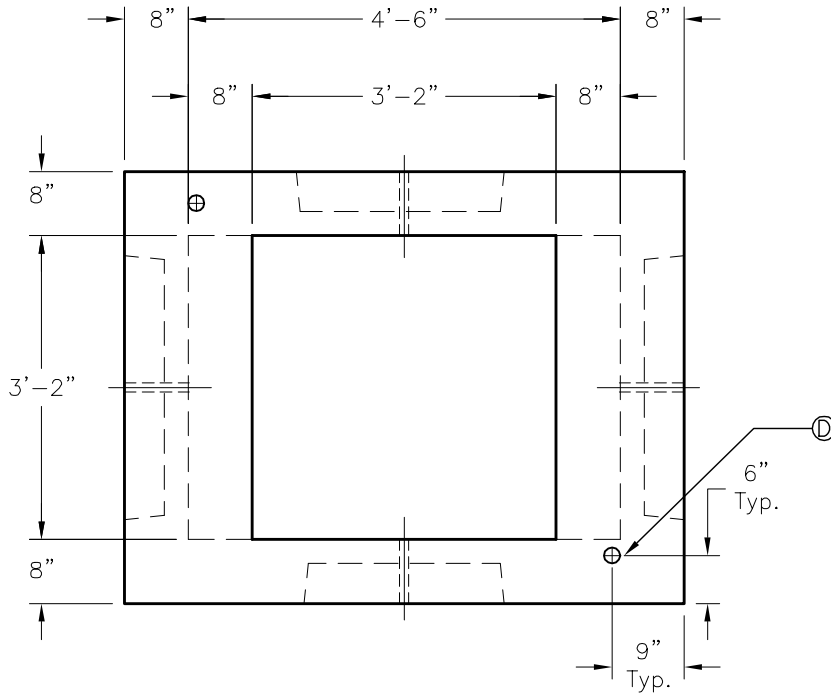


GENERAL NOTES:

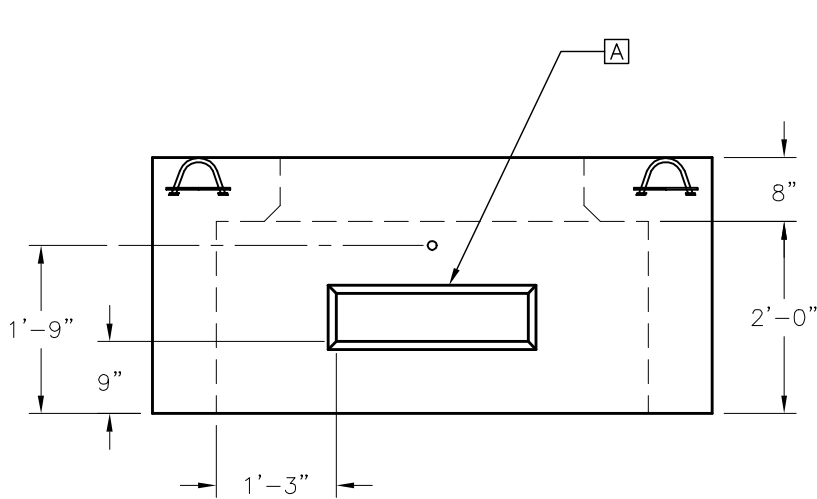
1. Concrete: 28 Day Compressive Strength  $f'_c = 5,000$  psi.
2. Rebar: Grade 60 Per ASTM A615.

DATA CHART

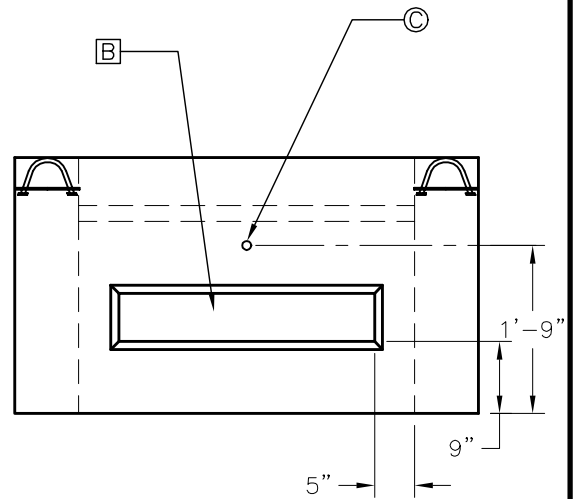
LTR	QTY	Description
A	2	6" x 24" Knockout
B	2	6" x 32" Knockout
C	4	1" $\phi$ Hole
D	2	5" Utility Anchors



**PLAN VIEW**



**SIDE ELEVATION**



**END ELEVATION**



**HH HDS**

FILE NAME: 325UEHDDS\_DET.DWG

ISSUE DATE: January, 2008

[www.oldcastleprecast.com](http://www.oldcastleprecast.com)

**3'-2" x 4'-6" x 2'-0" I.D.  
Heavy Duty Handhole  
with Slots NGRID  
5,000 Lbs**

Copyright © 2008 Oldcastle Precast