

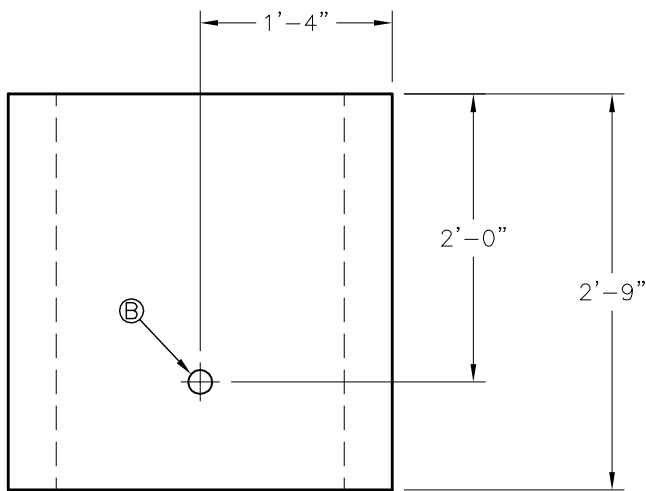
PLAN VIEW

GENERAL NOTES:

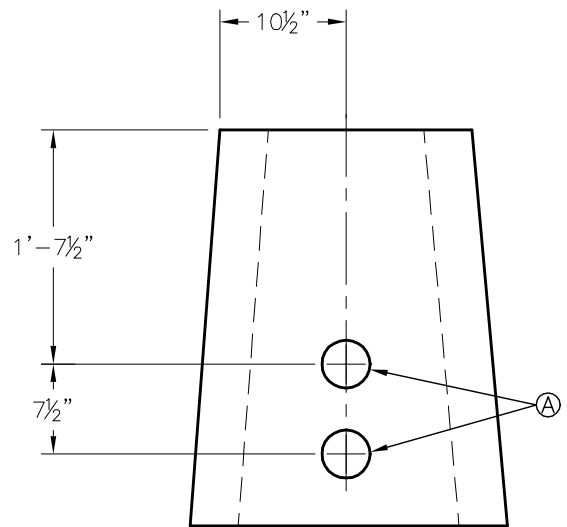
1. Concrete: 28 Day Compressive Strength $f'_c = 5,000$ psi. Type III.
2. Rebar: ASTM A615.

DATA CHART

LTR	QTY	Description
(A)	4	4" Dia. Knockout
(B)	1	2" Dia. Hole



ELEVATION VIEW



SIDE ELEVATION



HH 1324

FILE NAME: 325UEHH1324_DET.DWG

ISSUE DATE: January, 2008

www.oldcastleprecast.com

**1'-1" x 2'-0" x 2'-9" I.D.
Handhole
MHD Standard
1,250 Lbs**

Copyright © 2008 **Oldcastle** Precast