

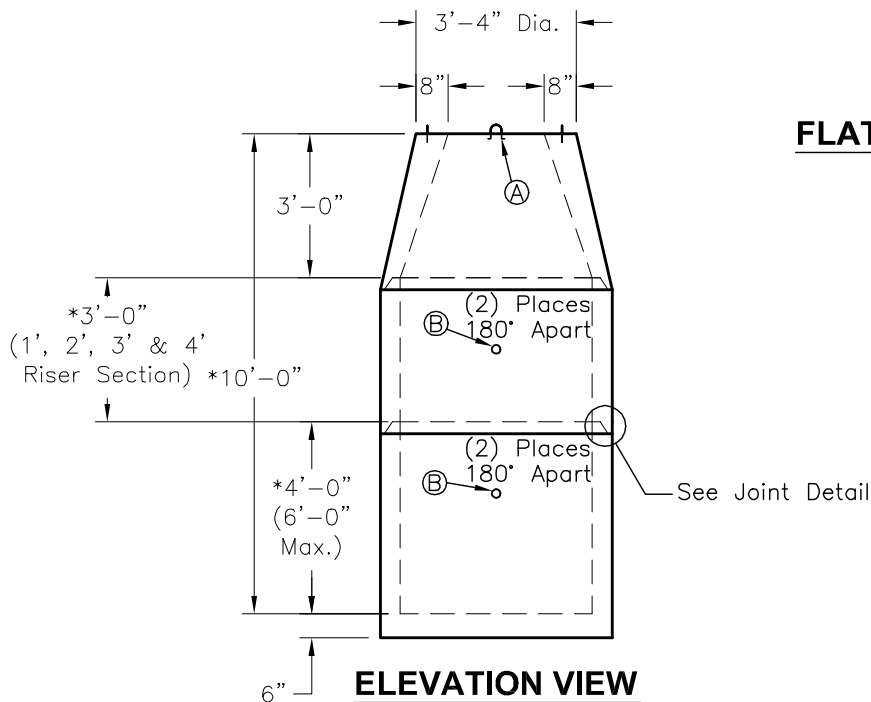
PLAN VIEW

GENERAL NOTES:

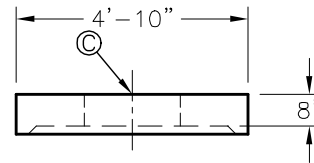
1. Concrete: 28 Day Compressive Strength $f'_c = 5,000$ psi. Type III.
2. Reinforcing: 6 x 3 W 2.9 x W 2 Welded Wire Fabric.
3. Design Loading: AASHTO HS20-44.
4. Joint to be Sealed with 1" Butyl Rubber.
5. * Dimensions Vary According to General Contractors Specifications.

DATA CHART

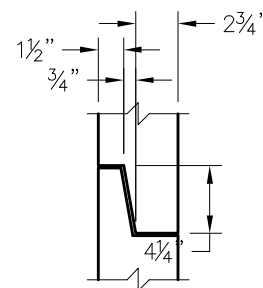
LTR	QTY	Description
(A)	3	Lift Hooks
(B)	2	2" Dia. Lift Hole
(C)	1	24" ϕ or 24" SQ. Opening



ELEVATION VIEW



FLAT ROOF SLAB (OPTIONAL)



JOINT DETAIL



4D-RMH

FILE NAME: 325DIC4D_DET.DWG

ISSUE DATE: January, 2008

www.oldcastleprecast.com

**4'-0" Diameter I.D.
Round Manhole
870 Lbs./Vert. Ft.**

Copyright © 2008 **Oldcastle** Precast