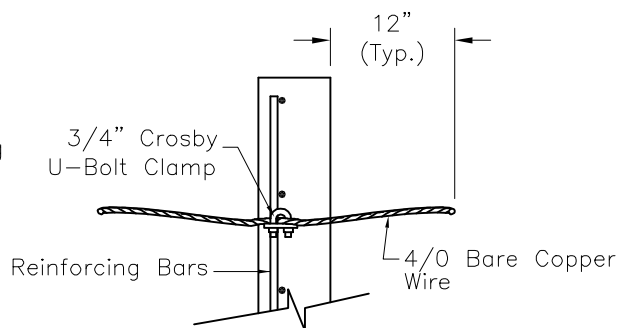


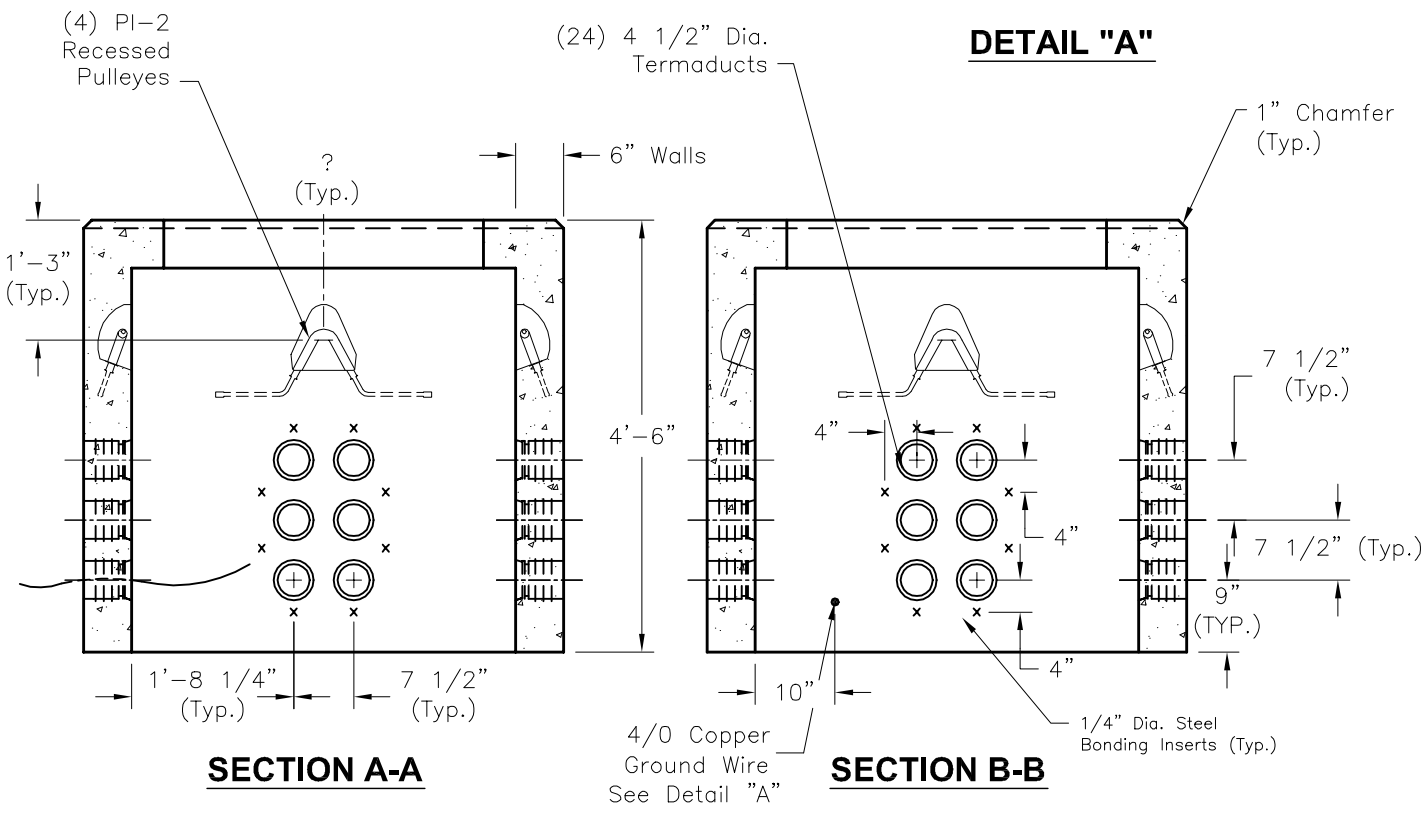
PLAN VIEW

NOTES:

1. Concrete : 5,000 P.S.I
Minimum Strength@ 28 Days
2. Steel Reinforcing- ASTM A-615,
Grade 60.
3. Cover to Steel-1" Minimum
4. Vault are Designed to Meet ASTM
C858 and ACI 318 With AASHTO
HS-20 Loading
5. Earth Cover -0 to 5 Feet Max.
Minimum
6. Construction Joint-Sealed with
1"Dia Butyl Rubber or Equivalent
7. Wall Thickness Available in 6" & 8"



DETAIL "A"



SECTION A-A

SECTION B-B



NS4X4X4PBF
 FILE NAME: 324UEENS4X4X4PBF_DET.DWG
 ISSUE DATE: January, 2008
 www.oldcastleprecast.com

4'-0" x 4'-0" x 4'-0" I.D.
NSTAR Pull Box Foundation
M1208 - Cat. # 9435
 Copyright © 2008 Oldcastle Precast