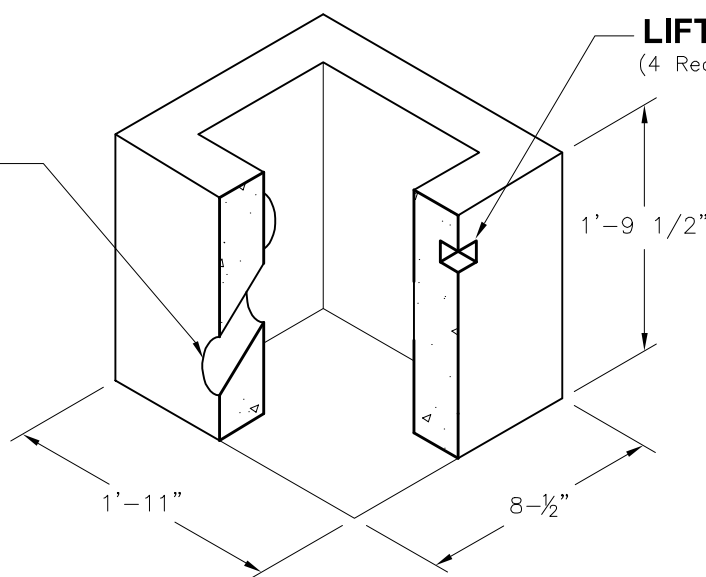


**OPENING**  
4" Dia Angled Hole



**LIFTING CABLE NOTCH**  
(4 Req'd)



**HH823**

FILE NAME: 325UEHH823\_ISO.DWG

ISSUE DATE: January, 2008

[www.oldcastleprecast.com](http://www.oldcastleprecast.com)

**8" x 1'-11" x 1'-9" I.D.  
Handhole  
(MHD SD2. 030)**

Copyright © 2008 **Oldcastle Precast, Inc.**