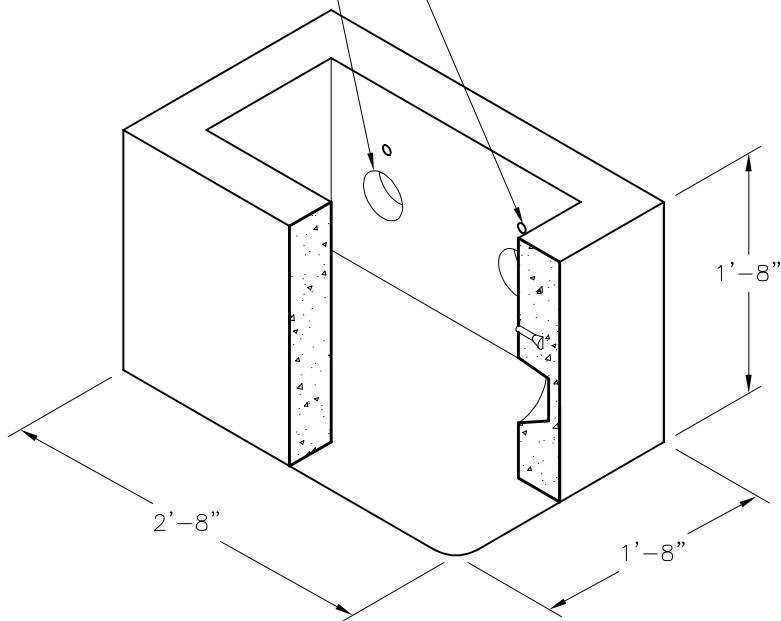


LIFTING INSERT

(4) Required

KNOCKOUT

5" Dia.
(6) Required



Oldcastle Precast[®]

HH122420-BS

FILE NAME: 325UEHHH122420BS_ISO.DWG

ISSUE DATE: January, 2008

www.oldcastleprecast.com

**1'-0" x 2'-0" x 1'-8" I.D.
Handhole
Boston Standard
600 Lbs.**

Copyright © 2008 **Oldcastle Precast**[®]