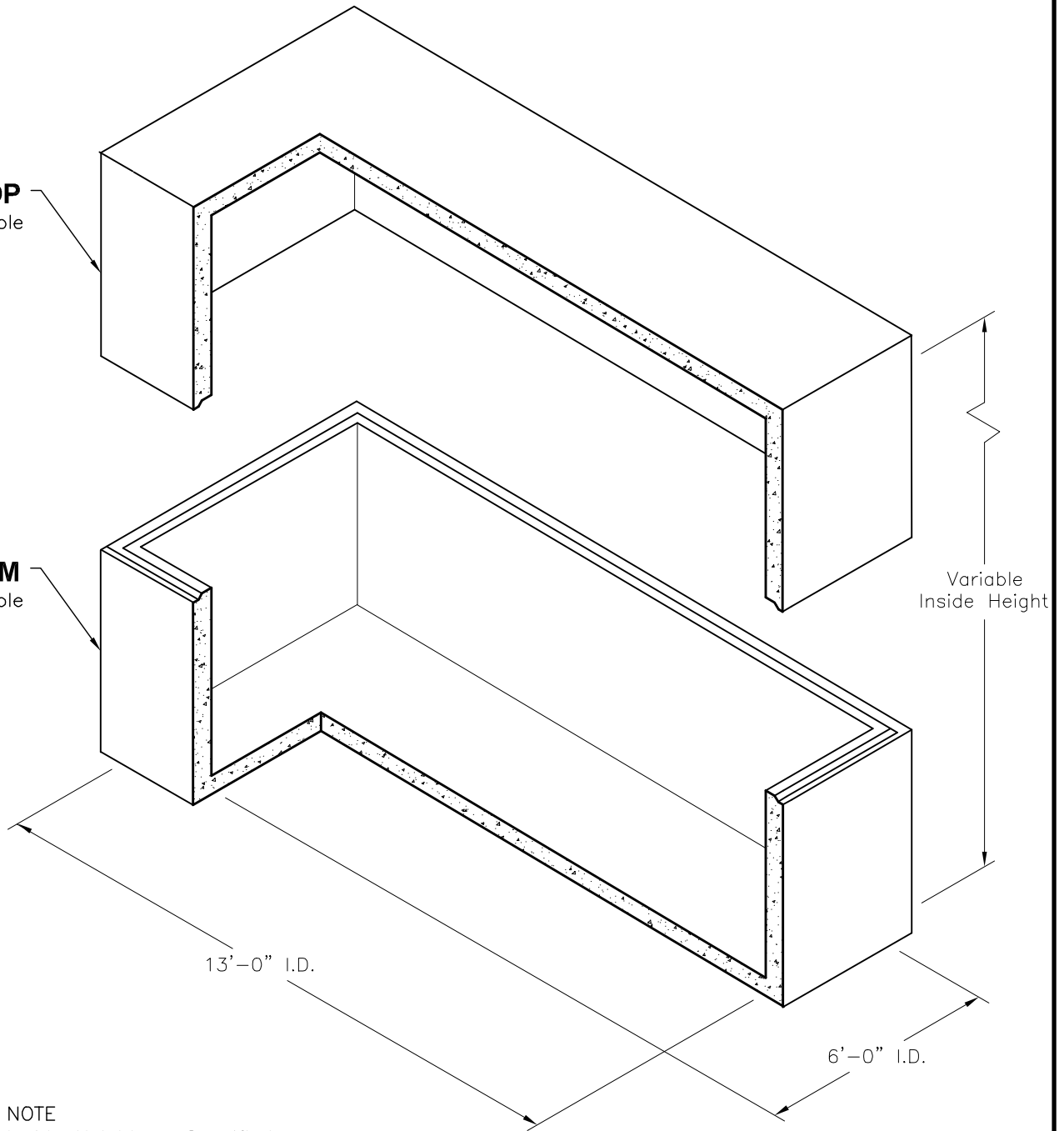


TOP
WT. Variable

BOTTOM
WT. Variable



NOTE
Inside Height as Specified
Inside Roof, Floor and Side Wall Openings as Specified

Maximum inside Height for 2 Piece Manhole 10'-0"
Maximum inside Height of Each Additional Piece 5'-0"



Oldcastle Precast[®]

MH6X13

FILE NAME: 324UCPMH6X13_ISO.DWG

ISSUE DATE: January, 2008

www.oldcastleprecast.com

6'-0" x 13'-0" x Variable I.D.
Utility Vault

Copyright © 2008 **Oldcastle Precast**[®]