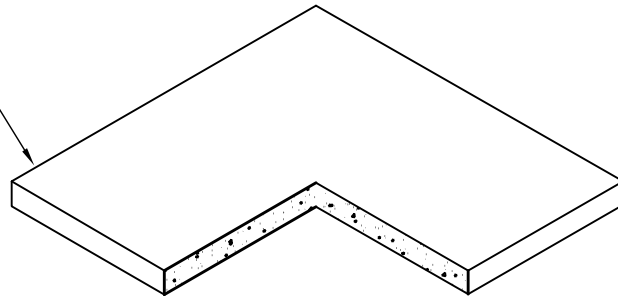
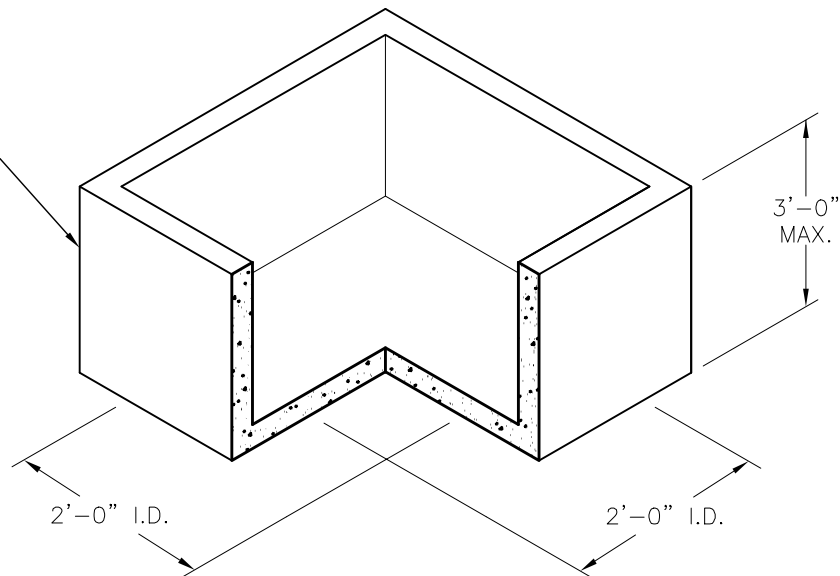


SLAB TOP
WT. Variable



BOTTOM
WT. Variable



NOTE
Inside Height as Specified
Inside Roof, Floor and Side Wall Openings as Specified
Maximum inside Height for 2 Piece Manhole 6'-0"
Maximum inside Height of Each Additional Piece 3'-0"



MH2X2

FILE NAME: 324UCPMH2x2_ISO.DWG

ISSUE DATE: January, 2008

www.oldcastleprecast.com

**2'-0" x 2'-0" x Variable I.D.
Utility Vault**

Copyright © 2008 **Oldcastle** Precast